

aiwa

**COMPACT DISC STEREO SYSTEM
SISTEMA ESTEREO CON REPRODUCTOR DE DISCOS COMPACTOS
CHAINE STEREO AVEC LECTEUR DE DISQUES COMPACTS**

NSX-V8000

**OPERATING INSTRUCTIONS
MANUAL DE INSTRUCCIONES
MODE D'EMPLOI**

En (English)

E (Español)

F (Français)

For Assistance And Information

Call Toll Free 1-800-BUY-AIWA

(United States and Puerto Rico)

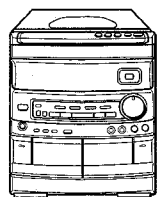
U

Welcome to the Aiwa Stereo System

Congratulations on your purchase of an Aiwa Stereo System. To optimize the performance of this system, please take the time to read through these Operating Instructions and become familiar with the operating procedures.

Check your system and accessories

CX-NV8000 Compact disc stereo cassette receiver



Remote control

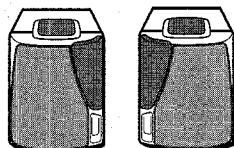


AM antenna



Operating Instructions, etc.

SX-ANV8000 (L, R) Front speakers



FM antenna



Owner's record

For your convenience, record the model number and serial number (you will find them on the rear of your set) in the space provided below. Please refer to them when you contact your Aiwa dealer in case of difficulty.

Model No.	Serial No. (Lot No.)
CX-NV8000	
SX-ANV8000	

WARNING

TO REDUCE THE RISK OF FIRE OR ELECTRIC SHOCK, DO NOT EXPOSE THIS APPLIANCE TO RAIN OR MOISTURE.



CAUTION

RISK OF ELECTRIC SHOCK
DO NOT OPEN



"CAUTION: TO REDUCE THE RISK OF ELECTRIC SHOCK, DO NOT REMOVE COVER (OR BACK). NO USER-SERVICEABLE PARTS INSIDE. REFER SERVICING TO QUALIFIED SERVICE PERSONNEL."

TABLE OF CONTENTS

PREPARATIONS

PRECAUTIONS	2
CONNECTIONS	3
BEFORE OPERATION	5
SETTING THE CLOCK	5

SOUND

ADJUSTING THE SOUND	6
FRONT SURROUND SYSTEM	7

RADIO RECEPTION

MANUAL TUNING	7
PRESETTING STATIONS	8

CD PLAYING

BASIC OPERATIONS	9
------------------------	---

TAPE PLAYBACK

BASIC OPERATIONS	11
CONTINUOUS PLAY	12

RECORDING

BASIC RECORDING	13
DUBBING A TAPE MANUALLY	14
DUBBING THE WHOLE TAPE	14
AI EDIT RECORDING	15
PROGRAMMED EDIT RECORDING	16

KARAOKE

MICROPHONE MIXING	17
KARAOKE PROGRAMS	18

TIMER

SETTING THE TIMER	19
SETTING THE SLEEP TIMER	20

OTHER CONNECTIONS

CONNECTING OPTIONAL EQUIPMENT	20
LISTENING TO EXTERNAL SOURCES	21

GENERAL

CARE AND MAINTENANCE	21
SPECIFICATIONS	22
TROUBLESHOOTING GUIDE	23
PARTS INDEX	23

PRINCIPLE OF AIWA'S FRONT 180° SPEAKER SYSTEM 24

Explanation of Graphical Symbols:



The lightning flash with arrowhead symbol, within an equilateral triangle, is intended to alert the user to the presence of uninsulated "dangerous voltage" within the product's enclosure that may be of sufficient magnitude to constitute a risk of electric shock to persons.



The exclamation point within an equilateral triangle is intended to alert the user to the presence of important operating and maintenance (servicing) instructions in the literature accompanying the appliance.

PRECAUTIONS

Read the Operating Instructions carefully and completely before operating the unit. Be sure to keep the Operating Instructions for future reference. All warnings and cautions in the Operating Instructions and on the unit should be strictly followed, as well as the safety suggestions below.

Installation

- 1 **Water and moisture** — Do not use this unit near water, such as near a bathtub, washbowl, swimming pool, or the like.
- 2 **Heat** — Do not use this unit near sources of heat, including heating vents, stoves, or other appliances that generate heat. It also should not be placed in temperatures less than 5°C (41°F) or greater than 35°C (95°F).
- 3 **Mounting surface** — Place the unit on a flat, even surface.
- 4 **Ventilation** — The unit should be situated with adequate space around it so that proper heat ventilation is assured. Allow 10 cm (4 in.) clearance from the rear and the top of the unit, and 5 cm (2 in.) from the each side.
 - Do not place the unit on a bed, rug, or similar surface that may block the ventilation openings.
 - Do not install the unit in a bookcase, cabinet, or airtight rack where ventilation may be impeded.
- 5 **Objects and liquid entry** — Take care that objects or liquids do not get inside the unit through the ventilation openings.
- 6 **Carts and stands** — When placed or mounted on a stand or cart, the unit should be moved with care.
 - Quick stops, excessive force, and uneven surfaces may cause the unit or cart to overturn or fall.



- 7 **Condensation** — Moisture may form on the CD pickup lens when:
 - The unit is moved from a cold spot to a warm spot
 - The heating system has just been turned on
 - The unit is used in a very humid room
 - The unit is cooled by an air conditioner
 When this unit has condensation inside, it may not function normally. Should this occur, leave the unit for a few hours, then try to operate again.
- 8 **Wall or ceiling mounting** — The unit should not be mounted on a wall or ceiling, unless specified in the Operating Instructions.

Electric Power

- 1 **Power sources** — Connect this unit only to power sources specified in the Operating Instructions, and as marked on the unit.
- 2 **Polarization** — As a safety feature, some units are equipped with polarized AC power plugs which can only be inserted one way into a power outlet. If it is difficult or impossible to insert the AC power plug into an outlet, turn the plug over and try again. If it still does not easily insert into the outlet, please call a qualified service technician to service or replace the outlet. To avoid defeating the safety feature of the polarized plug, do not force it into a power outlet.

3 AC power cord

- When disconnecting the AC power cord, pull it out by the AC power plug. Do not pull the cord itself.
- Never handle the AC power plug with wet hands, as this could result in fire or shock.
- Power cords should be routed to avoid being severely bent, pinched, or walked upon. Pay particular attention to the cord from the unit to the power socket.
- Avoid overloading AC power plugs and extension cords beyond their capacity, as this could result in fire or shock.

4 Extension cord

- To help prevent electric shock, do not use a polarized AC power plug with an extension cord, receptacle, or other outlet unless the polarized plug can be completely inserted to prevent exposure of the blades of the plug.

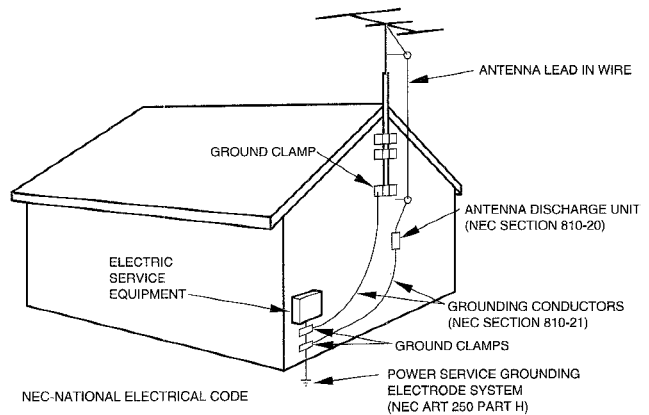
5 When not in use

- Unplug the AC power cord from the AC power plug if the unit will not be used for several months or more. When the cord is plugged in, a small amount of current continues to flow to the unit, even when the power is turned off.

Outdoor Antenna

- 1 **Power lines** — When connecting an outdoor antenna, make sure it is located away from power lines.
- 2 **Outdoor antenna grounding** — Be sure the antenna system is properly grounded to provide protection against unexpected voltage surges or static electricity build-up. Article 810 of the National Electrical Code, ANSI/NFPA 70, provides information on proper grounding of the mast, supporting structure, and the lead-in wire to the antenna discharge unit, as well as the size of the grounding unit, connection to grounding terminals, and requirements for grounding terminals themselves.

Antenna Grounding According to the National Electrical Code



Maintenance

Clean the unit only as recommended in the Operating Instructions.

Damage Requiring Service

- Have the units serviced by a qualified service technician if:
- The AC power cord or plug has been damaged
 - Foreign objects or liquid have gotten inside the unit
 - The unit has been exposed to rain or water
 - The unit does not seem to operate normally
 - The unit exhibits a marked change in performance
 - The unit has been dropped, or the cabinet has been damaged
- DO NOT ATTEMPT TO SERVICE THE UNIT YOURSELF.**

CONNECTIONS

Before connecting the AC cord

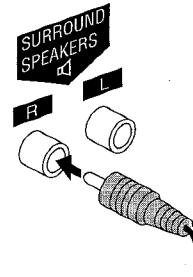
The rated voltage of your unit shown on the rear panel is 120 V AC. Check that the rated voltage matches your local voltage.

IMPORTANT

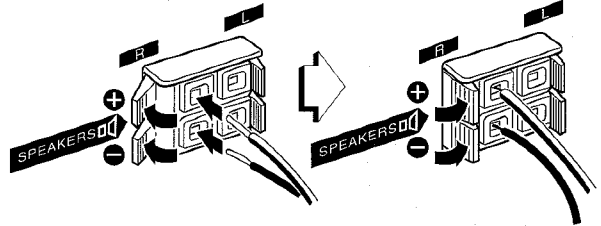
- Connect the speakers, antennas, and all optional equipment first. Then connect the AC cord in the end.
- The front speaker marked R on the rear is the right speaker, and the marked L is the left speaker.

1 Connect the right speaker to the main unit.

- ① Connect the surround speaker cord to the SURROUND SPEAKERS R terminal.



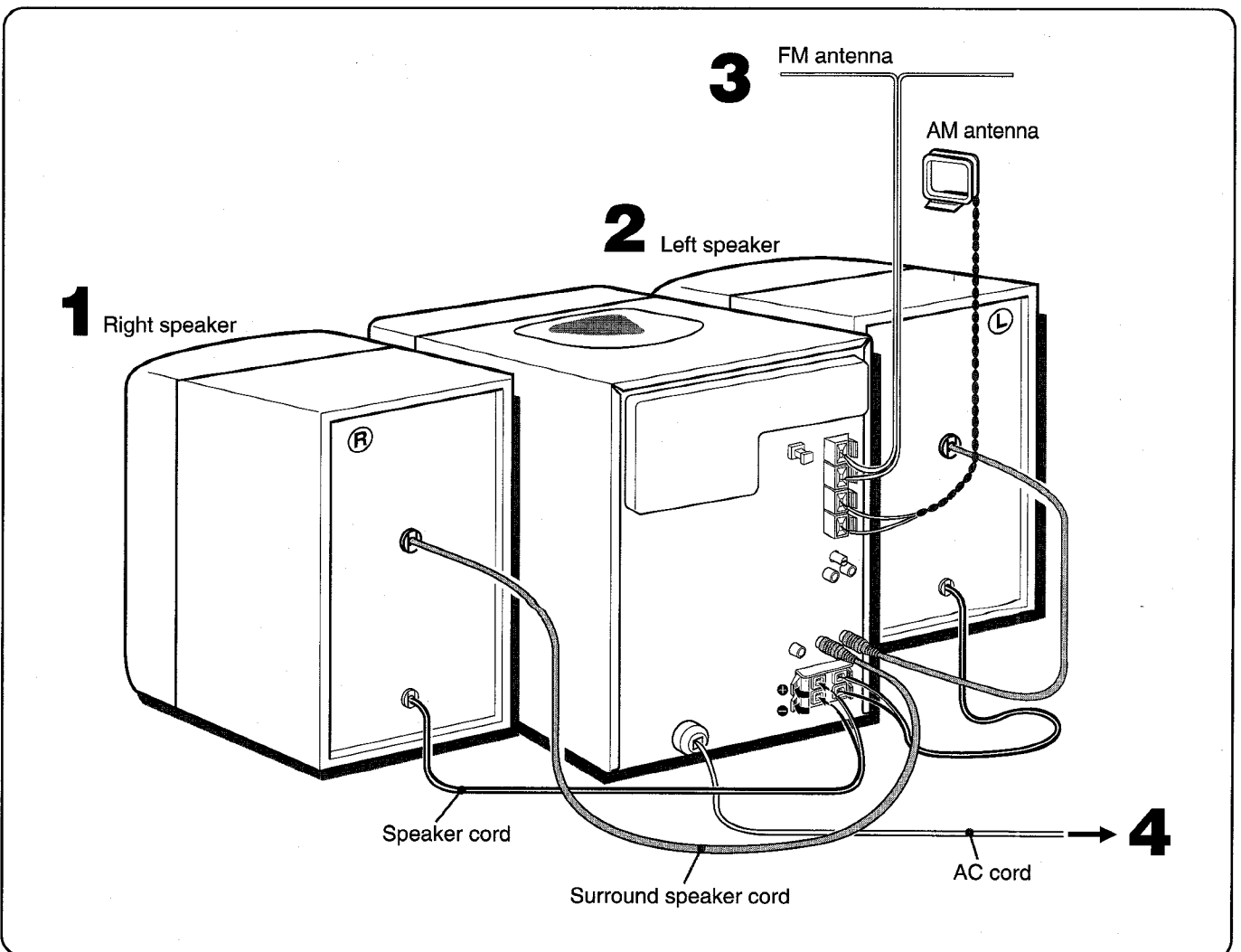
- ② Connect the speaker cord to the SPEAKERS R terminals.



The speaker cord with the white stripe should be connected to the + terminal and the black cord to the - terminal.

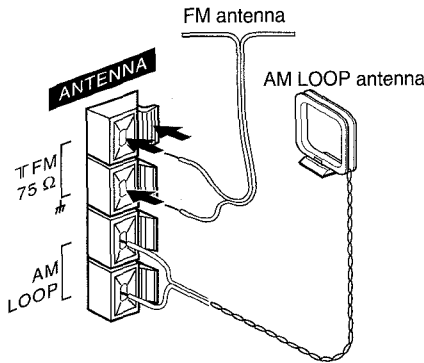
2 Connect the left speaker to the main unit.

Connect the surround speaker cord to the SURROUND SPEAKERS L terminal, and speaker cord to the SPEAKERS L terminals in the same manner as step 1.



3 Connect the supplied antennas.

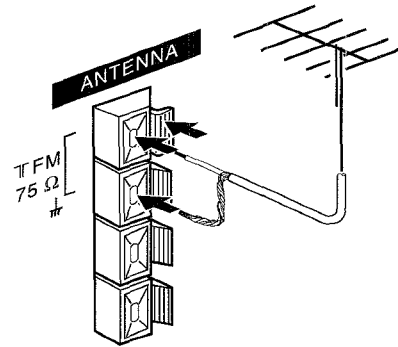
Connect the FM antenna to the FM 75 Ω terminals and the AM antenna to the AM LOOP terminals.



CONNECTING AN OUTDOOR ANTENNA

For better FM reception, use of an outdoor antenna is recommended.

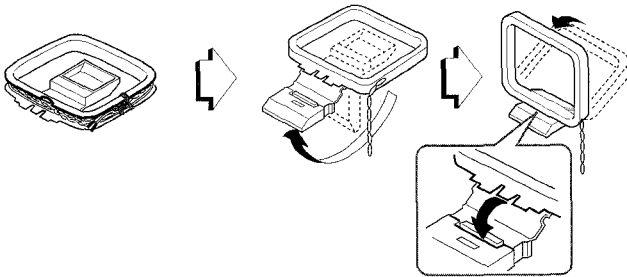
Connect the outdoor antenna to the FM 75 Ω terminals.



4 Connect the AC cord to an AC outlet.

To stand the AM antenna on a surface

Fix the claw to the slot.



To position the antennas

FM feeder antenna:

Extend this antenna horizontally in a T-shape and fix its ends to the wall.

AM loop antenna:

Position to find the best direction.

NOTE

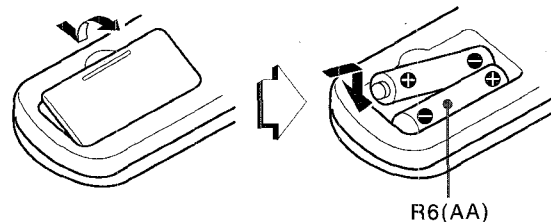
- Be sure to connect the speaker cords correctly. Improper connections can cause short circuits in the SPEAKERS terminals.
- Do not leave objects generating magnetism near the speakers.
- Do not bring the FM antenna near metal objects or curtain rails.
- Do not bring the AM antenna near other optional equipment, the stereo system itself, the AC cord or speaker cords, since noise will be picked up.
- Do not unwind the AM antenna wire.

To connect other optional equipment → page 20.

REMOTE CONTROL

Inserting batteries

Detach the battery cover on the rear of the remote control and insert two R6 (size AA) batteries.



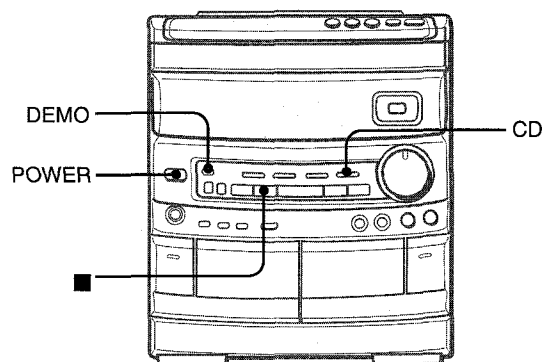
When to replace the batteries

The maximum operational distance between the remote control and the sensor on the main unit should be approximately 5 meters (16 feet). When this distance decreases, replace the batteries with new ones.

NOTE

- If the unit is not going to be used for an extended period of time, remove the batteries to prevent possible electrolyte leakage.
- The remote control may not operate correctly when:
 - The line of sight between the remote control and the remote sensor inside the display window is exposed to intense light, such as direct sunlight
 - Other remote controls are used nearby (television, etc.)

BEFORE OPERATION



To turn the unit on

Press one of the function buttons (TAPE, TUNER, VIDEO/AUX, CD).

Playback of the inserted disc or tape begins, or the previously tuned station is received (Direct Play Function).

The POWER button is also available.

The disc compartment may open and close to reset the unit.

DEMO (Demonstration) mode

When the AC cord is connected for the first time, the display window demonstrates the functions of the unit. When the power is turned on, the DEMO display is overridden by the operation display. When the power is turned off, the DEMO mode is restored.

To cancel DEMO mode

Press the DEMO button. To reenter, press again.

Illumination guides

Whenever the AC cord is connected or one of the function buttons is pressed, the buttons for that operation light up or flash.

Example: When the AC cord is connected, the ■ SET button flashes as a guide to setting the current time.

Flash windows

The windows on the top of the unit and the cassette decks light up or flash while the unit is being powered on.

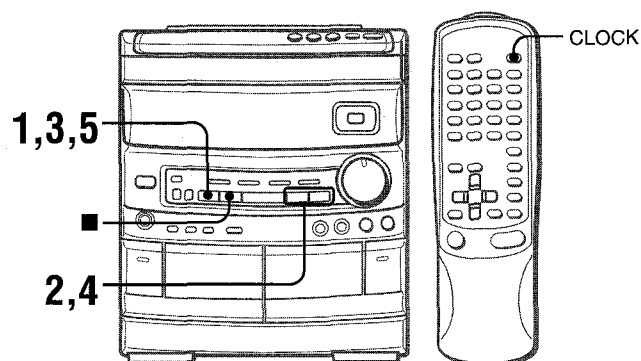
To turn off the light of the top window, press the ■ button while pressing the CD button. To turn back on, repeat the above.

To turn off the light of the cassette decks, press the ■ button while pressing the TAPE button. To turn back on, repeat the above.

After use

Press the POWER button to turn off the power. The display changes to the clock.

SETTING THE CLOCK



When the AC cord is connected for the first time, the ■ SET button flashes.

Set the time as follows while the power is off.

1 Press the ■ SET button.

The hour flashes.



2 Press the ◀◀ DOWN or ▶▶ UP button to designate the hour.

3 Press the ■ SET button to set the hour.

The hour stops flashing and the minute starts flashing.

4 Press the ◀◀ DOWN or ▶▶ UP button to designate the minute.

5 Press the ■ SET button to set the minute and complete setting.

The minute stops flashing on the display and the clock starts from 00 second.

To correct the current time

Press the POWER button to turn the unit off. Press the ■ SET button and carry out steps 1 to 5 above.

To display the current time

Press the CLOCK button on the remote control. The clock is displayed for 4 seconds.

However, the time cannot be displayed during recording.

To switch to the 24-hour standard

Press the CLOCK button on the remote control and then press the ■ button within 4 seconds.

Repeat the same procedure to restore the 12-hour standard.

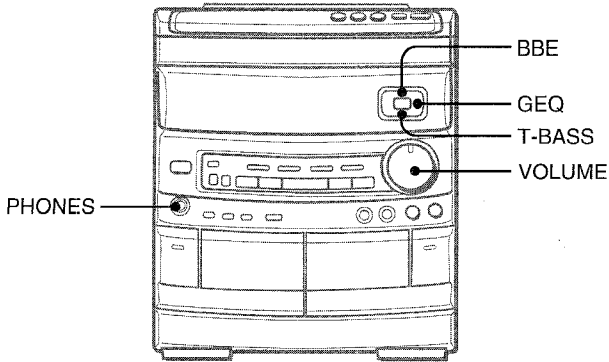
If the clock display flashes while the power is off

This is caused by a power interruption. The current time needs to be reset.

If power is interrupted for more than approximately 24 hours, all settings stored in memory after purchase need to be reset.

ADJUSTING THE SOUND

Your speakers feature the Front 180° system with uni-directional speakers and built-in surround speakers pointed inward at angles of 45°. You can get an optimal stereo effect not only directly in front of the speakers but also when off the center line between the speakers.



VOLUME CONTROL

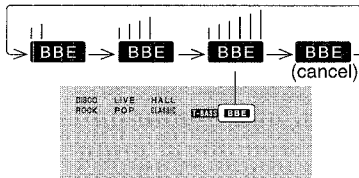
Turn the **VOLUME** control on the main unit, or press the **VOLUME** buttons on the remote control.

BBE SYSTEM

The BBE system enhances the clarity of high-frequency sound. It also enriches the KARAOKE function to make your voice sound clear and pleasant.

Press the BBE button.

Each time it is pressed, the level changes. Select one of the three levels, or the off position to suit your preference.

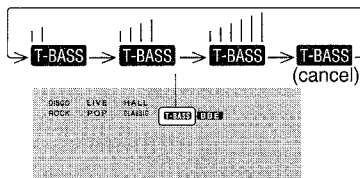


SUPER T-BASS SYSTEM

The T-BASS system enhances the realism of low-frequency sound.

Press the T-BASS button.

Each time it is pressed, the level changes. Select one of the three levels, or the off position to suit your preference.



NOTE

Low frequency sound may be distorted when the T-BASS system is used for a disc or tape in which low frequency sound is originally emphasized. In this case, cancel the T-BASS system.

GRAPHIC EQUALIZER

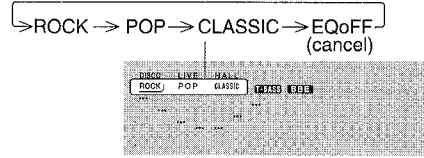
This unit provides the following three different equalization curves.

ROCK: Powerful sound emphasizing treble and bass

POP: More presence in the vocals and midrange

CLASSIC: Enriched sound with heavy bass and fine treble

Press the **GEQ** button repeatedly until the desired equalization curve is displayed.



SOUND ADJUSTMENT DURING RECORDING

The output volume and tone (except BBE) of the speakers or headphones may be freely varied without affecting the level of the recording.

Recording with BBE

The desired source can be recorded with the BBE function to enhance the clarity of high-frequency sound. When playing back a tape recorded with BBE, it is recommended that BBE be set to off.

PREPARATIONS SOUND

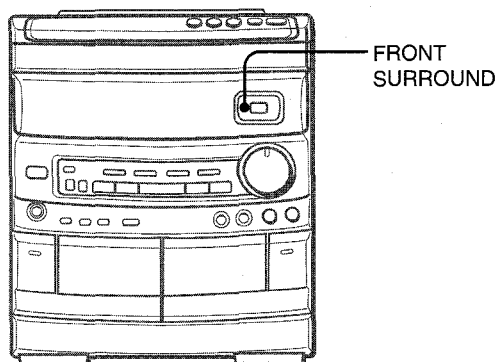
En

Using the headphones

Connect headphones to the PHONES jack with a stereo standard plug (ø6.3 mm, 1/4 inch).

No sound is output from the speakers while the headphones are plugged in.

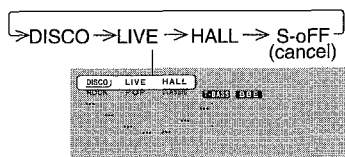
FRONT SURROUND SYSTEM



The front surround system uses a DSP (Digital Signal Processor) to enhance the simulated surround sound effect for your listening pleasure. When you select the FRONT SURROUND mode, the sound presence of a disco (DISCO), live music performance (LIVE), or concert hall (HALL) can be obtained.

In addition, the front surround speakers are located inside the cabinet of your speaker system and are directed inward to provide an effective simulated surround sound effect without having to connect optional surround speakers.

Press the FRONT SURROUND button repeatedly until the desired FRONT SURROUND mode is displayed.



Equalization curves are selected automatically to match the FRONT SURROUND modes and can also be selected or turned off to suit your preference.

When the music source is monaural

Select LIVE to obtain a simulated stereo effect. When DISCO or HALL is selected, no sound will be heard from the surround speakers.

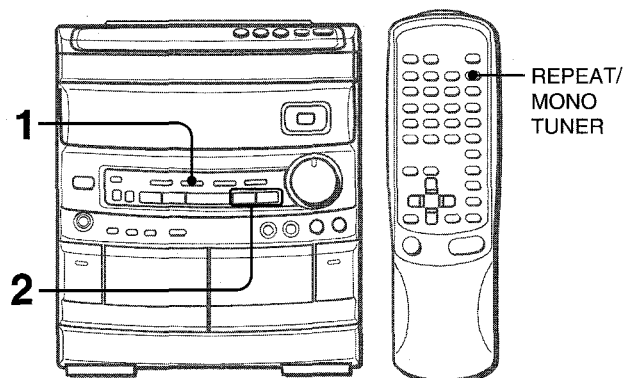
To cancel the selected mode

Press the selected button again. S-OFF is displayed. While FRONT SURROUND mode is off, no sound is heard from the surround speakers.

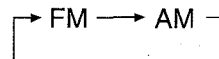
NOTE

When a connected microphone is used, the FRONT SURROUND system is automatically canceled.

MANUAL TUNING



1 Press the TUNER/BAND button repeatedly to select the desired band.



If the power is turned off, the previously tuned station will be played (Direct Play Function).

2 Press the ◀◀ DOWN or ▶▶ UP button to select a station.

Each time the button is pressed, the frequency changes. When a station is received, "TUNE" is displayed for 2 seconds. During FM stereo reception, ((◉◉)) is displayed.



To search for a station quickly (Auto Search)

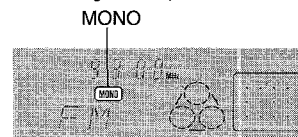
Keep the ◀◀ DOWN or ▶▶ UP button pressed until the tuner starts searching for a station. After tuning in to a station, the search stops.

To stop the Auto Search manually, press the ◀◀ DOWN or ▶▶ UP button.

- The Auto Search may not stop at stations with very weak signals.

When an FM stereo broadcast contains noise

Press the REPEAT/MONO TUNER button on the remote control so that "MONO" appears on the display. Noise is reduced, although reception is monaural.



To restore stereo reception, press the button so that MONO disappears.

To change the AM tuning interval

The default setting of the AM tuning interval is 10 kHz/step. If you use this unit in an area where the frequency allocation system is 9 kHz/step, change the tuning interval.

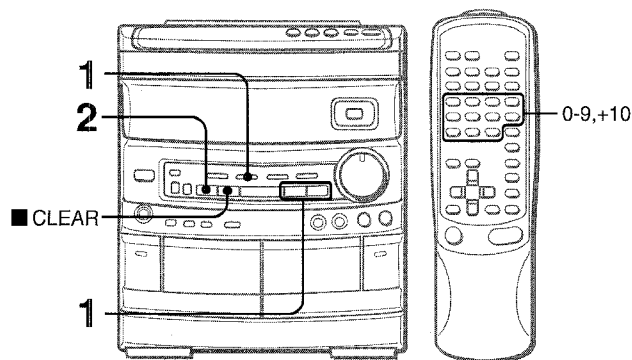
Press the POWER button while pressing the TUNER/BAND button.

To reset the interval, repeat this procedure.

NOTE

When the AM tuning interval is changed, all preset stations (see "PRESETTING STATIONS") are cleared. The preset stations have to be set again.

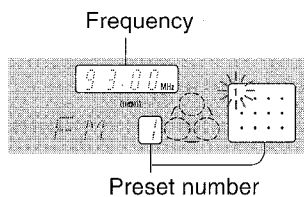
PRESETTING STATIONS



The unit can store a total of 32 preset stations. When a station is stored, a preset number is assigned to the station. Use the preset number to tune in to a preset station directly.

- 1 Press the TUNER/BAND button to select a band, and press the ◀◀ DOWN or ▶▶ UP button to select a station.**
- 2 Press the ■ SET button to store the station.**

A station is assigned a preset number, beginning from 1 in consecutive order for each band.



- 3 Repeat steps 1 and 2.**

The next station will not be stored if a total of 32 preset stations have already been stored for all the bands.

PRESET NUMBER TUNING

Use the remote control to select the preset number directly.

- 1 Press the TUNER/BAND button to select a band.**
- 2 Press the numeric buttons to select a preset number.**

Example:

To select preset number 25, press the +10, +10 and 5 buttons.

To select preset number 10, press the +10 and 0 buttons.

Selecting a preset number on the main unit

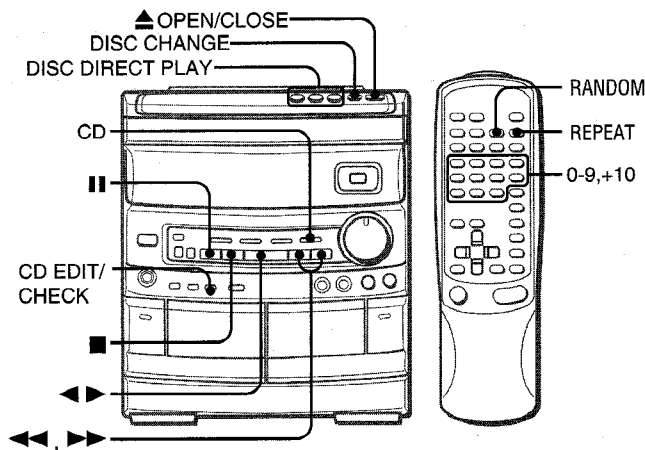
Press the TUNER/BAND button to select a band. Then, press the ◀▶ DIRECTION/PRESET button repeatedly. Each time the button is pressed, the next highest number is selected.

To clear a preset station

Select the preset number of the station to be cleared. Then, press the ■ CLEAR button, and press the ■ SET button within 4 seconds.

The preset numbers of all other stations in the band with higher numbers are also decreased by one.

BASIC OPERATIONS



To stop play, press the ■ button.

To pause play, press the || button. To resume play, press again.

To search for a particular point during playback, keep the ◀◀ or ▶▶ button pressed and release the button at the desired point.

To skip to the beginning of a track during playback, press the ◀◀ or ▶▶ button repeatedly.

To remove discs, press the ▲ OPEN/CLOSE button.

To start play when the power is off (Direct Play Function)

Press the CD button. The power is turned on and play of the loaded disc(s) begins.

To replace discs before play, press the ▲ OPEN/CLOSE button to open the disc compartment.

To check the remaining time

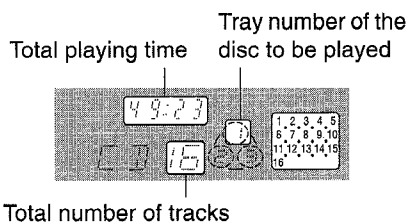
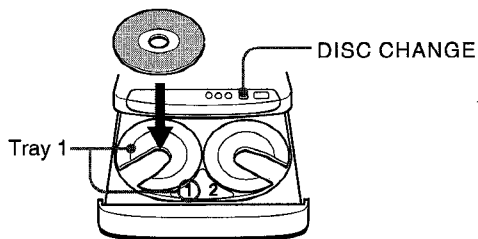
Press the CD EDIT/CHECK button during play. The amount of time remaining until all tracks finish playing is displayed. To restore the play time display, repeat the above again.

LOADING DISCS

Press the CD button, then press the ▲ OPEN/CLOSE button to open the disc compartment. Load disc(s) with the label side up.

To play one or two discs, place the discs on tray 1 and 2.

To play three discs, press the DISC CHANGE button to rotate the trays after placing two discs. Place the third disc on tray 3. Close the disc compartment by pressing the ▲ OPEN/CLOSE button.



Selecting a track with the remote control

- 1 Press one of the DISC DIRECT PLAY buttons to select a disc.
- 2 Press the numeric buttons and the +10 button to select a track.

Example:

To select the 25th track, press the +10, +10 and 5 buttons.

To select the 10th track, press the +10 and 0 buttons.

The selected track starts to play and continues to the end of that disc.

Replacing discs during play

While one disc is playing, the other discs can be replaced without interrupting play.

- 1 Press the DISC CHANGE button.
- 2 Remove the discs and replace with other discs.
- 3 Press the ▲ OPEN/CLOSE button to close the disc compartment.

NOTE

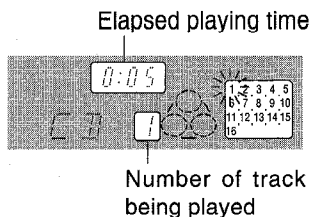
- When loading an 8-cm (3-inch) disc, put it onto the inner circle of the tray.
- Do not place more than one compact disc on one disc tray.
- Do not tilt the unit with discs loaded. Doing so may cause malfunctions.

PLAYING DISCS

Load discs.

To play all discs in the disc compartment, press the ▶▶ button.

Play begins with the disc on tray 1.



To play one disc only, press one of the DISC DIRECT PLAY buttons.

The selected disc is played once.

RANDOM PLAY

All the tracks on the selected disc or on all the discs can be played randomly.

Press the **RANDOM** button on the remote control.

RANDOM lights up on the display.

To cancel random play, press again.

NOTE

- Even if the ◀◀ button is pressed, a previously played track cannot be skipped. The unit returns to the beginning of the current track only.
- Direct selection of the tracks with the numeric buttons is not possible.

REPEAT PLAY

A single disc or all the discs can be played repeatedly.

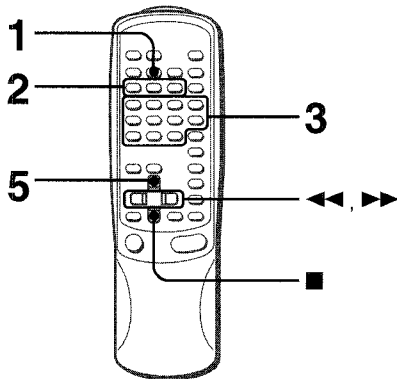
Press the **REPEAT** button on the remote control.

◁ lights up on the display.

To cancel repeat play, press again.

PROGRAMMED PLAY

Up to 30 tracks can be programmed from any of the inserted discs.



Use the remote control.

1 Press the **PRGM** button twice in stop mode.

The PRGM indicator flashes on the display.



- When the PRGM button is pressed once in step 1, the unit enters the KARAOKE PROGRAMS (page 18).

2 Press one of the **DISC DIRECT PLAY** buttons to select a disc.

The selected disc is indicated in red on the display.

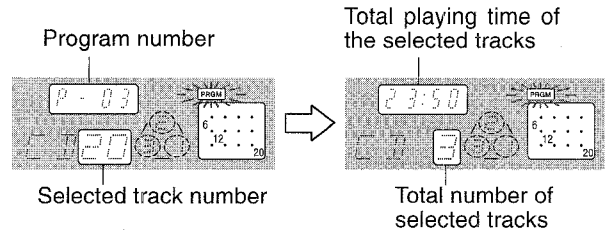
Go to the next step when the tray stops rotating.

3 Press the numeric buttons and the **+10** button to program a track.

Example:

To select the 25th track, press the +10, +10 and 5 buttons.

To select the 10th track, press the +10 and 0 buttons.



4 Repeat steps 2 and 3 to program other tracks.

5 Press the ◀▶ button to start play.

To check the program

Each time the ◀◀ or ▶▶ button is pressed in stop mode, a disc number, track number, and program number will be displayed.

To clear the program

Press the ■ CLEAR button in stop mode.

To add tracks to the program

Before playing, repeat steps 2 and 3. The track will be programmed after the last track.

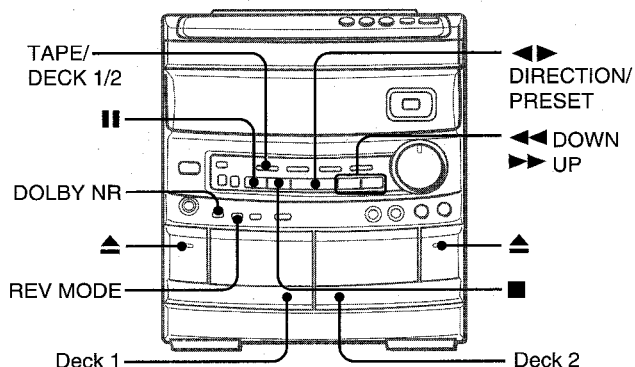
To change the programmed tracks

Clear the program and repeat all the steps again.

NOTE

During the programmed play, the CD EDIT/CHECK, DISC CHANGE, RANDOM, DISC DIRECT PLAY and numeric buttons do not function.

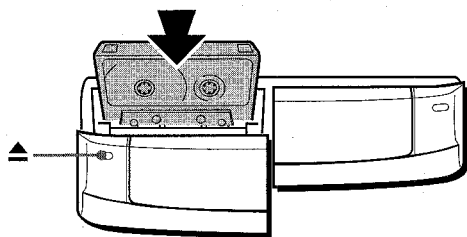
BASIC OPERATIONS



INSERTING TAPES

- On deck 1, tapes are always played back on both sides. On deck 2, you can select a reverse mode to play back one or both sides.
- Use Type I (normal), Type II (high/CrO₂) or Type IV (metal) tapes for playback.

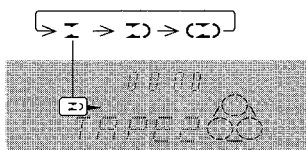
Press the **TAPE** button and press the **EJECT** mark to open the cassette holder.



Insert a tape with the exposed side down. Push the cassette holder to close.

To select a reverse mode (deck 2 only)

Each time the REV MODE button is pressed, the reverse mode changes.



- To play one side only, turn on \rightarrow .
- To play from front side to back side once only, turn on $\rightarrow\leftarrow$.
- To play both sides repeatedly, turn on $\rightarrow\leftarrow$.
- When tapes are loaded in both decks, $\rightarrow\leftarrow$ in the display indicates Continuous Play.

PLAYING BACK A TAPE

Insert a tape.

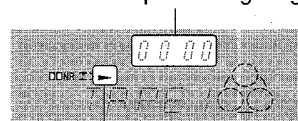
1 Press the DOLBY NR button and turn Dolby NR on or off to match the playback tape.



For tapes recorded with DOLBY NR, turn on $\square\square$ NR. For tapes recorded without DOLBY NR, turn off $\square\square$ NR.

2 Press the $\blacktriangleleft\blacktriangleright$ button to start play.

The tape counter indicates the tape running length.



Playback side of the tape

- \blacktriangleright : The front side is being played (forward).
- \blacktriangleleft : The back side is being played (reverse).

When tapes are loaded in both decks

Press the **TAPE** button first to select a deck. The selected deck number is displayed.

To stop play, press the \blacksquare button.

To pause play (deck 2 only), press the \parallel button. To resume play, press again.

To change the playback side, press the $\blacktriangleleft\blacktriangleright$ DIRECTION/PRESET button in play or pause mode.

To fast forward or rewind, press the $\blacktriangleleft\blacktriangleleft$ or $\blacktriangleright\blacktriangleright$ button in stop mode. Then press the \blacksquare button to stop the tape.

To start play when the power is off (Direct Play Function)

Press the **TAPE** button. The power is turned on and play of the inserted tape begins.

To set the tape counter to 0000

Press the \blacksquare CLEAR button in stop mode. The counter is also set to 0000 when the cassette holder is opened.

MUSIC SENSOR

If there is a 4-second or longer blank between each track, a search for the beginning of the current or next track during playback can be done easily.

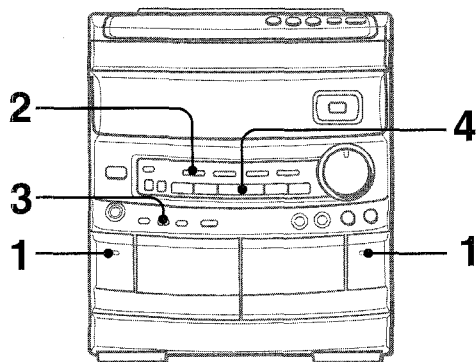
When the \blacktriangleright indicator of the $\blacktriangleleft\blacktriangleright$ button is flashing, press the $\blacktriangleright\blacktriangleright$ button to move to the next track or the $\blacktriangleleft\blacktriangleleft$ button to move to the beginning of the current track.

When the \blacktriangleleft indicator of the $\blacktriangleleft\blacktriangleright$ button is flashing, press the $\blacktriangleleft\blacktriangleleft$ button to move to the next track, or the $\blacktriangleright\blacktriangleright$ button to move to the beginning of the current track.

The search function uses a music sensor that may not be able to detect tracks for tapes with:

- Blanks of less than 4 seconds between tracks
- Noisy blanks
- Long passages of low-end sound
- Low overall recording levels

CONTINUOUS PLAY

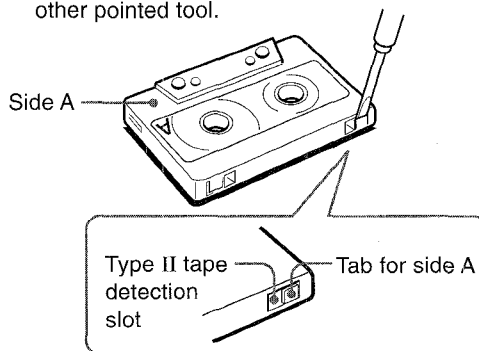


After playback on one deck finishes, the tape in the other deck will start to play without interruption.

- 1 Insert tapes into deck 1 and deck 2.
- 2 Press the **TAPE/DECK1/2** button to select the deck to be played back first.
- 3 Press the **REV MODE** button to select \curvearrowright .
- 4 Press the \blacktriangleleft button to start playback.
Playback continues until the \blacksquare button is pressed.

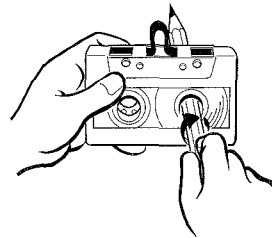
About cassette tapes

- To prevent accidental erasure, break off the plastic tabs on the cassette tape after recording with a screwdriver or other pointed tool.



To record on the tape again, cover the tab openings with adhesive tape, etc. (On Type II tapes, take care not to cover the Type II tape detection slot.)

- **120-minute or longer tapes** are extremely thin and easily deformed or damaged. They are not recommended.
- **Take up any slack in the tape** with a pencil or similar tool before use. Slack tape may break or jam in the mechanism.

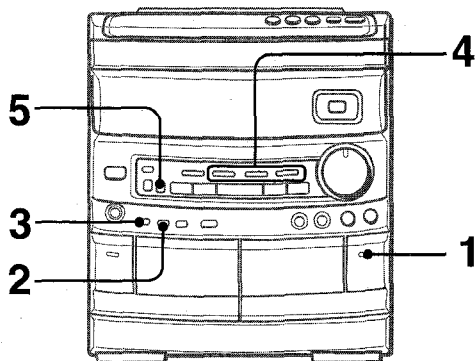


DOLBY NR system

The Dolby Noise Reduction system reduces tape hiss noise. For optimum performance when playing back a tape recorded with the DOLBY NR system, turn on the DOLBY NR system.

BASIC RECORDING

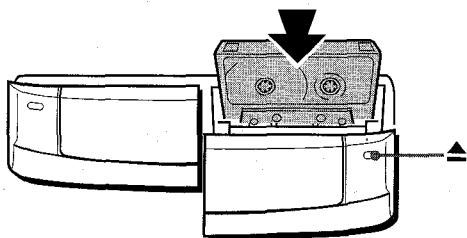
This section explains how to record from the tuner, CD player, or external equipment.



Preparation

- Set the tape to the point where recording will start.
- Use Type I (normal) and Type II (high/CrO₂) tapes for recording.

- 1 Insert the tape to be recorded on into deck 2.**
Insert the tape with the side to be recorded on first facing out from the unit and the exposed side down.



- 2 Press the REV MODE button to select the reverse mode.**

To record on one side only, turn on $\overline{\text{I}}$.
To record on both sides, turn on $\overline{\text{II}}$ or $\overline{\text{III}}$.

- 3 Press the DOLBY NR button to turn Dolby NR on or off.**

To record with DOLBY NR, turn on $\overline{\text{NR}}$.
To record without DOLBY NR, turn off $\overline{\text{NR}}$.

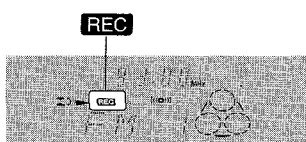
- 4 Press one of the function buttons and prepare the source to be recorded.**

To record from a CD, press the CD button and load the disc(s).

To record from a radio broadcast, press the TUNER button and tune in to a station.

To record from the connected source, press the VIDEO/AUX button and play.

- 5 Press the ● REC/REC MUTE button to start recording.**



When the selected function is CD, playback and recording start simultaneously.

To stop recording, press the ■ button.

To pause recording, press the ■■ button. (Applicable when the source is TUNER, VIDEO/AUX.) To resume recording, press again.

To start recording with the remote control

First press the ●/○ REC/REC MUTE button, and then press the ◀▶ button within 2 seconds.

INSERTING BLANK SPACES

Insertion of 4-second blank spaces enables activation of the Music Sensor function. (Applicable when the source is TUNER or VIDEO/AUX.)

- 1 Press the ● REC/REC MUTE button during recording or while in recording pause mode.**

REC on the display flashes for 4 seconds and the tape runs without recording. After 4 seconds, the deck enters the recording pause mode.

- 2 Press the ■■ button to resume recording.**

To insert a blank space of less than 4 seconds, press the ● REC/REC MUTE button again while REC is flashing.

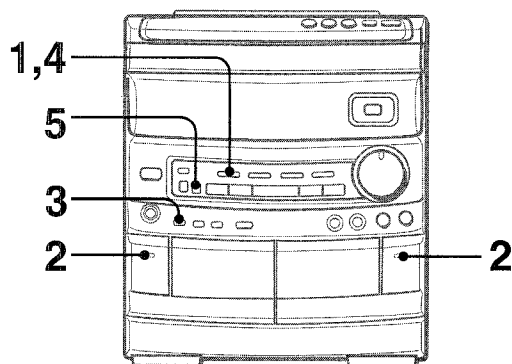
To insert blank spaces of more than 4 seconds, after the deck enters recording pause mode, press the ● REC/REC MUTE button again. Each time the button is pressed, a 4-second blank space is added.

To erase a recording

Make sure the microphone is not connected to this unit.

- 1 Insert the tape to be erased into deck 2 and press the TAPE/DECK 1/2 button to display "TAPE 2".**
- 2 Set the tape to the point where the erasure is to be started.**
- 3 Set the reverse mode by pressing the REV MODE button.**
- 4 Press the ● REC/REC MUTE button to start the erasure.**

DUBBING A TAPE MANUALLY



Preparation

- Set the tape to the point where recording will start.
 - The reverse mode is automatically set to Σ .
- Note that recording will be done on one side of the tape only.

1 Press the TAPE button.

2 Insert the original tape into deck 1 and the tape to be recorded on into deck 2.

Insert the tapes with the sides to be played back or recorded on first facing out from the unit.

3 Press the DOLBY NR button to turn off the Dolby NR.

$\square\square$ NR on the display goes out.

4 Press the TAPE/DECK 1/2 button to select deck 1.

TAPE 1 is displayed.

5 Press the \bullet REC/REC MUTE button to start recording.

Playing and recording start simultaneously.

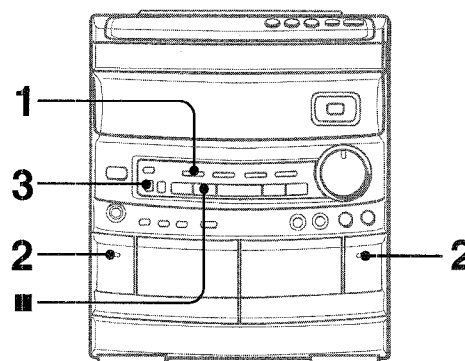
To stop dubbing

Press the \blacksquare button.

To set the Dolby NR when playing back the dubbed tape

Press the DOLBY NR button and turn Dolby NR on or off to match the original tape.

DUBBING THE WHOLE TAPE



This function allows you to make exact copies of both sides of the original tape. The reverse side of both tapes will start simultaneously as soon as the longer tape has been reversed.

NOTE

- Dubbing does not start from a point halfway in the tape.
- The reverse mode is automatically set to Σ .
- The Dolby NR does not affect recording.

1 Press the TAPE button.

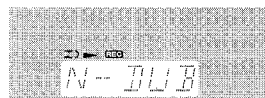
2 Insert the original tape into deck 1 and the tape to be recorded on into deck 2.

Insert each tape with the side to be played back or recorded on first facing out from the unit.

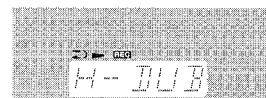
3 Press the SYNC DUB button once or twice to start recording.

- ① For recording at normal speed, press it once to display N-DUB.
- ② For recording at high speed, press it twice to display H-DUB.

①



②



The tapes are rewound to the beginning of the front sides, and recording starts.

To stop dubbing

Press the \blacksquare button.

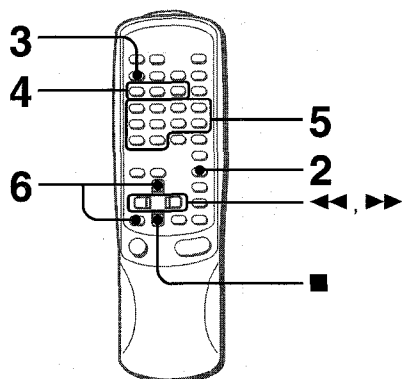
To set the Dolby NR when playing back the dubbed tape

Press the DOLBY NR button and turn Dolby NR on or off to match the original tape.

NOTE

- Recording does not start, if the erasure prevention tab on either side of the tape is broken off.
- If the leader segment of the tape to be recorded on is longer than that of the original tape, recording on the reverse side may stop midway through the recording. In this case, dub each side manually following the procedure in "DUBBING A TAPE MANUALLY".

AI EDIT RECORDING



The AI edit function enables CD recording without worrying about tape length and track length. When a CD is inserted, the unit automatically calculates track lengths. If necessary, the order of tracks is rearranged so that no track is cut short. (AI: Artificial Intelligence)

NOTE

AI edit recording will not start from a point halfway into the tape. The tape must be recorded from the beginning of either side.

Use the remote control from steps 3 to 6.

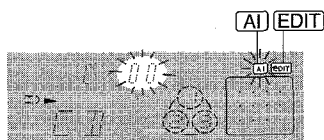
1 Insert the tape into deck 2, and press the DOLBY NR button to turn Dolby NR on or off.

Insert the tape with the side to be recorded on first facing out from the unit.

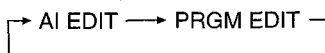
2 Press the CD button and load the disc(s).

3 Press the EDIT/CHECK button once.

"EDIT" lights up and "AI" flashes on the display.



Each time it is pressed, the display changes as follows.



4 Press one of the DISC DIRECT PLAY buttons to select a disc.

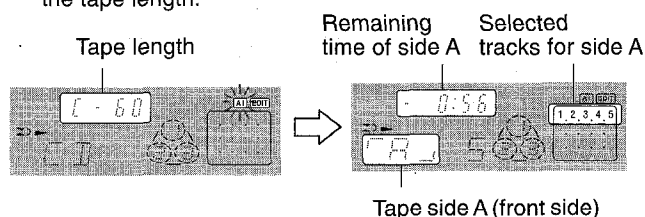
5 Press the numeric buttons to designate the tape length.

10 to 99 minutes can be specified.

Example: When using a 60-minute tape, press the 6 and 0 buttons.

In a few seconds, the microcomputer determines the tracks to be recorded on each side of the tape.

- The ◀◀ and ▶▶ buttons are also available to designate the tape length.



6 First press the ●/○ REC/REC MUTE button and then press the ◀▶ button within 2 seconds to start recording.

The tape is rewound to the beginning of the front side, the lead segment is played through for 10 seconds, and recording starts. When recording on the front (side A) ends, recording on the back (side B) starts.

To stop recording

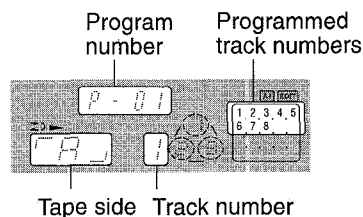
Press the ■ button. Recording and CD play stop simultaneously.

To clear the edit program

Press the ■ CLEAR button twice so that "EDIT" disappears on the display.

To check the order of the programmed track numbers

Before recording, press the EDIT/CHECK to select side A or B, and press the ◀◀ or ▶▶ button repeatedly.



To add tracks from other discs to the edit program

If there is any time remaining on the tape after step 5, you can add tracks from other discs in the CD compartment.

- Press the EDIT/CHECK button to select side A or B.
- Press one of the DISC DIRECT PLAY buttons to select a disc.
- Press the numeric buttons to select tracks. [AI] goes out and [PRGM] starts flashing on the display. A track which has a playing time longer than the remaining time cannot be programmed.
- Repeat steps 2 and 3 to add more tracks.

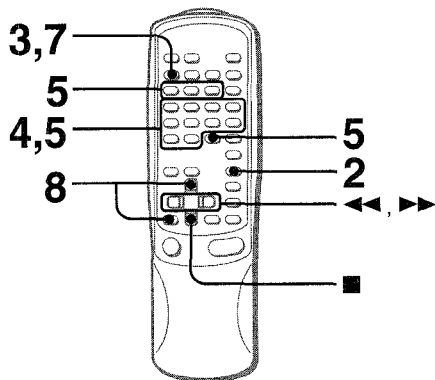
Time on cassette tapes and editing time

The actual cassette recording time is usually a little longer than the specified recording time printed on the label. This unit can program tracks to use the extra time. When the total recording time is a little longer than the tape's specified recording time after editing, the display shows the extra time (without a minus mark), instead of the time remaining on the tape (with the minus mark).

NOTE

- Recording is inhibited if the erasure prevention tab on either side of the tape is broken off.
- The AI edit function cannot be used with discs containing 31 tracks or more.

PROGRAMMED EDIT RECORDING



Programmed edit function enables CD recording while checking the remaining time on each side of the tape as the tracks are programmed.

NOTE

The programmed edit recording will not start from a point halfway in the tape. The tape must be recorded from the beginning of either side.

Use the remote control from steps 3 to 8.

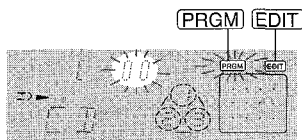
1 Insert the tape into deck 2, and press the DOLBY NR button to turn Dolby NR on or off.

Insert the tape with the side to be recorded on first facing out from the unit.

2 Press the CD button and load the disc(s).

3 Press the EDIT/CHECK button twice.

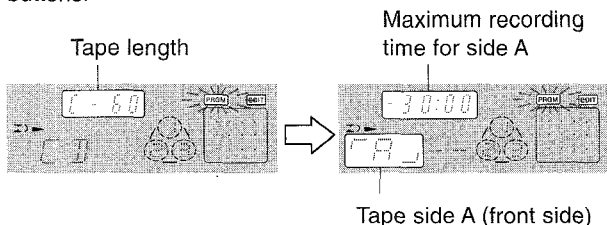
"EDIT" lights up and "PRGM" flashes on the display.



4 Press the numeric buttons to designate the tape length.

10 to 99 minutes can be specified.

Example: When using a 60-minute tape, press the 6 and 0 buttons.

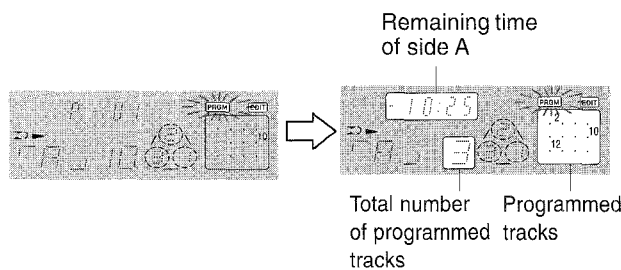


5 Press one of the DISC DIRECT PLAY buttons to select a disc and press the numeric buttons to program a track.

Example: To select the 10th track of disc 2, press DISC DIRECT PLAY 2 and the numeric buttons +10 and 0.

6 Repeat step 5 for the rest of the tracks for side A.

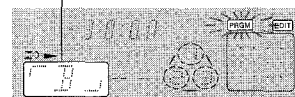
A track whose playing time is longer than the remaining time cannot be programmed.



7 Press the EDIT/CHECK button to select side B and program the tracks for side B.

After confirming B on the display, repeat step 5.

Tape side B (reverse side)



8 Press the REC/REC MUTE button and then press the left/right arrow button within 2 seconds to start recording.

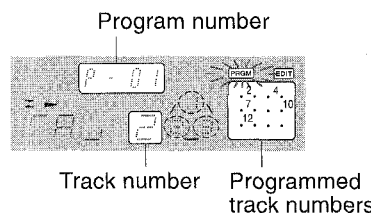
The tape is rewound to the beginning of the front side, the lead segment is played through for 10 seconds, and recording starts. When recording on the front side (A) ends, recording on the back side (B) starts.

To stop recording

Press the square button. Recording and CD play stop simultaneously.

To check the order of the programmed track numbers

Before recording, press the EDIT/CHECK button to select side A or B, and press the left/right arrow button repeatedly.



To change the program of each side

Press the EDIT/CHECK button to select side A or B, and press the square button to clear the program of the selected side. Then program tracks again.

To clear the edit program

Press the square button twice so that "EDIT" disappears on the display.

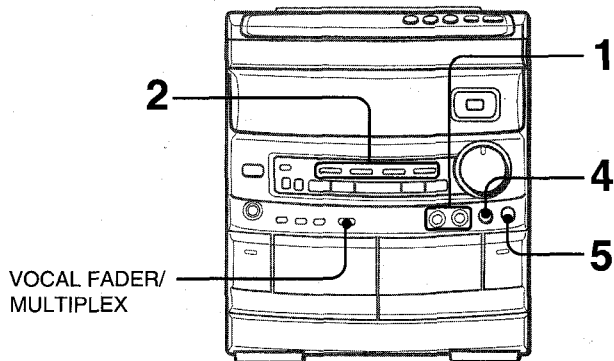
NOTE

Recording is inhibited if the erasure prevention tab on either side of the tape is broken off.

RECORDING

En

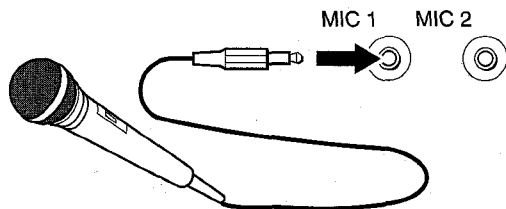
MICROPHONE MIXING



Two microphones (not supplied) can be connected to this unit, allowing you to sing along to music sources. Use microphones with mini plugs ($\phi 3.5$ mm, $1/8$ inch).

Before connecting a microphone
Set the MIC MIXING control to MIN.

1 Connect your microphones to the MIC 1 and MIC 2 jacks.



2 Press one of the function buttons to select the source to be mixed, and play the source.

3 Adjust the volume and tone of the source.

4 Adjust the microphone volume with the MIC MIXING control.

The volume of both microphones is adjusted simultaneously.

5 Adjust the echo with the DIGITAL ECHO control.

To record microphone sound mixed with source sound
Follow the procedure for recording from the sound source (see page 13).

The SYNC DUB button cannot be used for mixing recording.

When not using the microphones

Set the MIC MIXING and DIGITAL ECHO controls to MIN and remove the microphones from the MIC jacks.

NOTE

- When a connected microphone is used, the FRONT SURROUND system is automatically canceled.
- If a microphone is held too near the speakers, a howling sound may be produced. In this case, hold the microphone away from the speakers, or decrease the sound level using the MIC MIXING control.
- If sound through the microphone is extremely loud, it may be distorted. In this case, turn the MIC MIXING control toward MIN.

Recommended microphones

The use of unidirectional type microphones is recommended to prevent howling. Contact your local Aiwa dealer for details.

VOCAL FADER/MULTIPLEX FUNCTIONS

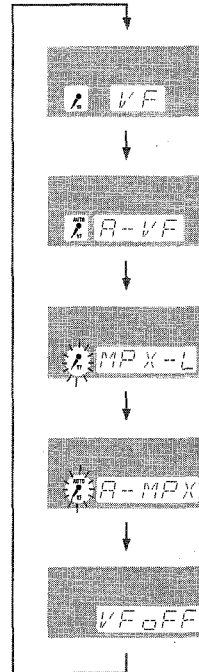
This unit can use discs or tapes as Karaoke sources.

Press the VOCAL FADER/MULTIPLEX button repeatedly to select the vocal fader or multiplex function.

Use the vocal fader function for ordinary discs or tapes.

Use the multiplex function for multi audio discs or tapes.

Each time the VOCAL FADER/MULTIPLEX button is pressed, one of these functions is selected cyclically.



Vocal Fader

The singer's voice becomes softer than the accompaniment.

Auto Vocal Fader*1

The singer's voice becomes softer only while there is audio input through a microphone.

Multiplex*2

The sound on the left (or right) channel is heard from both speakers, and the sound on the right (or left) channel is muted.

Auto Multiplex*1

The sound on the left (or right) channel is heard from both speakers, and the sound on the right (or left) channel is muted only while there is audio input through a microphone.

Cancel

***1 To change the time lag setting of the Auto Vocal Fader or Auto Multiplex function**

When Auto Vocal Fader or Auto Multiplex is selected, "A-VF" or "A-MPX" is displayed for 3 seconds and changes to the selected function name. After the selected function name is displayed, hold the VOCAL FADER/MULTIPLEX button down until the desired time lag setting, SLOW or FAST, is selected.

SLOW

Fade out of original singer's voice returns to the normal level if there is no audio input from the microphone within 2 seconds.

FAST

Fade out of original singer's voice returns to the normal level if there is no audio input from the microphone within 0.5 seconds.

When the power is turned off, the Auto vocal fader and Auto multiplex restore to SLOW.

***2 To change the muted channel of the Multiplex function**

When Multiplex is selected, "MPX-L" is displayed for 3 seconds and changes to selected function name. After the selected function name is displayed, hold the VOCAL FADER/MULTIPLEX button down until the channel to be output from both speakers, MPX-L or MPX-R, is selected.

MPX-L

The sound on the left channel is heard from both speakers and the sound on the right channel is muted.

MPX-R

The sound on the right channel is heard from both speakers and the sound on the left channel is muted.

When the power is turned off, the Multiplex restores to MPX-L.

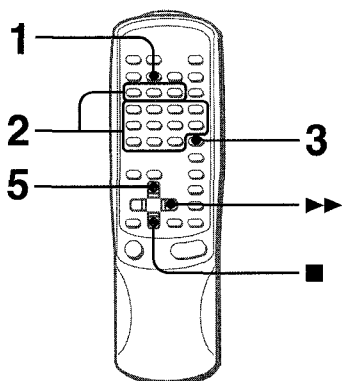
When using the remote control

Press the KARAOKE button.

NOTE

- The VOCAL FADER functions may not operate correctly with the following kinds of CDs or tapes.
 - Those with monaural sound
 - Those recorded with strong echoes
 - Those with the vocal part recorded on the right or left side of the sound width
- While the VOCAL FADER function is on, the sound is output as monaural.

KARAOKE PROGRAMS



Before or during CD play, you can reserve up to 15 tracks to be played after the current track. Each reservation is cleared when it finishes playing.

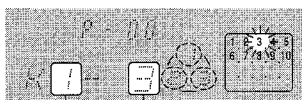
Use the remote control.

1 Press the PRGM button once.



2 Press one of the DISC DIRECT PLAY buttons to select a disc and the numeric buttons to select a track.

3 Press the KARAOKE ENTER button.

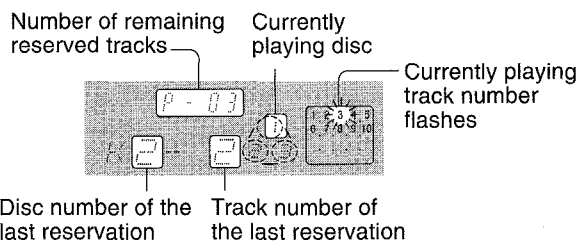


Reserved disc number Reserved track number

4 Repeat steps 2 and 3 to reserve other tracks.

5 Press the ◀▶ button to start play.

After a track is played, it is cleared from the program. Another track can be reserved in place of the cleared track.



To add a reservation during play

Repeat steps 2 and 3.

To check the reserved tracks

Press the EDIT/CHECK button repeatedly. Each time it is pressed, the disc number and track number are displayed in the reserved order.

To stop play

Press the ■ button. Press the ◀▶ button to start again.

To skip a track

Press the ▶▶ button. The skipped track is cleared from the program.

To clear all the reservations

Press the ▶▶ button repeatedly until "K -" is displayed.

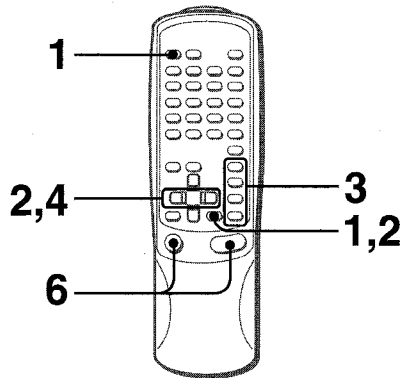


Press it once more to cancel the Karaoke programs. The display returns to that of CD play.

NOTE

- If the reserved track number does not exist on the selected disc, the unit stops playing and the display flashes. In this case, press the ▶▶ button to skip the error track. Then press the ◀▶ button to start play with the next reserved track.
- When the PRGM button is pressed repeatedly in step 1, PRGM is displayed and the unit enters CD program play mode (page 10). To cancel program play, press the ■ CLEAR button.

SETTING THE TIMER



The unit can be turned on at a specified time every day with the built-in timer.

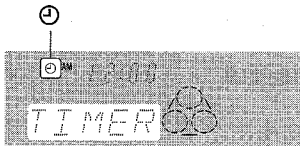
Preparation

Make sure the clock is set correctly. (See page 5.)

Use the remote control.

1 Press the TIMER button on the remote control once to display ☉, and press the SET button within 4 seconds.

☉ is displayed, and the hour flashes.



NOTE

If you do not press the SET button within 4 seconds, another operation may start.

2 Designate the hour of the timer-on time by pressing the DOWN or UP button, and the SET button. Repeat to designate the minute of the timer-on time.



After you designate the timer-on time, TIMER and one of the source name flashes alternately on the display for 4 seconds.

3 Within 4 seconds, press one of the function buttons to select a source.

"TIMER" and the selected source name flash alternately for 4 seconds. At this time, the selected function button does not light up.

- If this step is not completed within 4 seconds, repeat from step 1.
- If the TUNER button is pressed, the band cannot be selected in this step.

4 Within 4 seconds, select the duration for the timer-activated period with the DOWN or UP button.



The duration for the timer-activated period can be set between 10 and 240 minutes in 10-minute steps.

- If this step is not completed within 4 seconds, repeat from step 1.

5 Prepare the source.

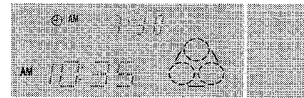
To listen to a CD, load the disc to be played first on tray 1.

To listen to a tape, insert the tape into deck 1 or 2.

To listen to the radio, tune in to a station.

6 Press the POWER button to turn the unit off after adjusting the volume and tone.

☉ remains on the display after the power is turned off (timer standby mode).



When the timer-on time is reached, the unit turns on and begins play with the selected source.

To check the specified time and source

Press the TIMER button on the remote control. The timer-on time and the selected source name are displayed for 4 seconds. However, the duration for the timer-activated period will not be displayed.

TIMER RECORDING

Timer recording is applicable for TUNER and VIDEO/AUX (with an external timer) sources only.

Press the TIMER button twice on the remote control so that ☉ appears on the display, and press the SET button within 4 seconds. Repeat the steps shown above from step 2 and insert the tape to be recorded into deck 2 after step 5.

To cancel timer standby mode temporarily

Press the TIMER button on the remote control so that ☉ or ☉ disappears on the display.

To restore the timer standby mode, press again to display ☉ or ☉.

Using the unit while the timer is set

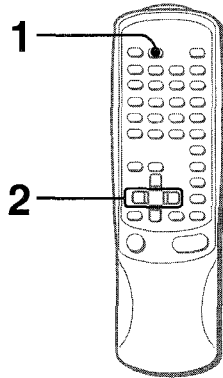
You can use the unit normally after setting the timer.

Before turning off the power, repeat step 5 to prepare the source, and adjust the volume and tone.

NOTE

- Timer playback and timer recording will not begin unless the power is turned off.
- Connected equipment cannot be turned on and off by the built-in timer of this unit. Use an external timer.

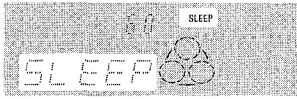
SETTING THE SLEEP TIMER



The unit can be turned off automatically at a specified time.

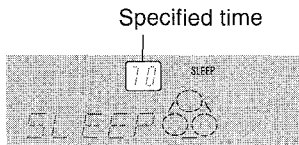
Use the remote control.

1 Press the SLEEP button.



2 Within 4 seconds, press the ◀◀ or ▶▶ button to specify the time until the power is turned off.

Each time the button is pressed, the time changes between 10 and 240 minutes in 10-minute steps.



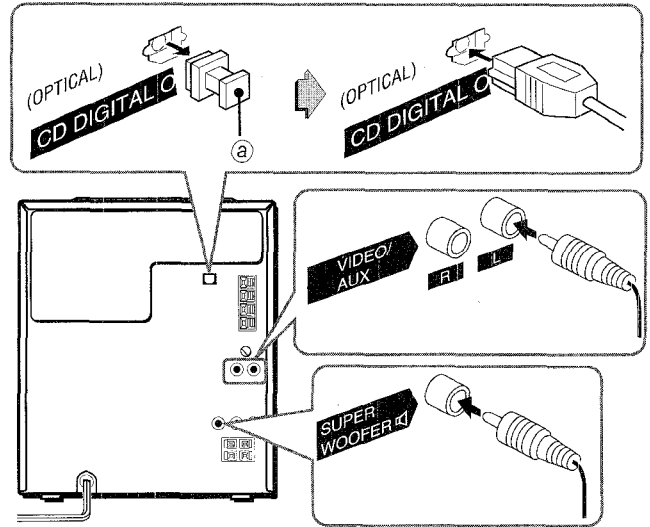
To check the time remaining until the power is turned off

Press the SLEEP button once. The remaining time is displayed for 4 seconds.

To cancel the sleep timer

Press the SLEEP button twice so that "SLEEP" on the display disappears.

CONNECTING OPTIONAL EQUIPMENT



Refer to the operating instructions of the connected equipment for details.

- The connecting cords are not supplied. Obtain the necessary connecting cords.
- Consult your local Aiwa dealer for optional equipment.

VIDEO/AUX JACKS

This unit can input analog sound signals through these jacks. Use a cable with RCA phono plugs to connect audio equipment (turntables, LD players, VCRs, TV, etc.). Connect the red plug to the R jack, and the white plug to the L jack.

When connecting a turntable

Use an Aiwa turntable equipped with a built-in equalizer amplifier.

CD DIGITAL OUT (OPTICAL) JACK

This unit can output CD digital sound signals through this jack. Use an optical cable to connect digital audio equipment (digital amplifier, DAT deck, MD recorder, etc.).

Remove the dust cap ① from the CD DIGITAL OUT (OPTICAL) jack. Then, connect an optical cable plug to the CD DIGITAL OUT (OPTICAL) jack.

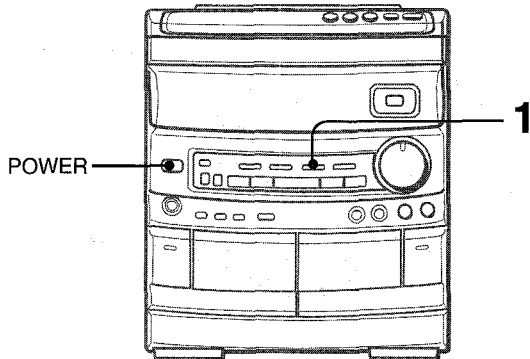
When the CD DIGITAL OUT (OPTICAL) jack is not being used

Attach the supplied dust cap.

SUPER WOOFER JACK

Connect an optional powered sub woofer with a built-in-amplifier to the jack.

LISTENING TO EXTERNAL SOURCES



To play equipment connected to the VIDEO/AUX jacks, proceed as follows.

1 Press the VIDEO/AUX button.

VIDEO appears on the display.

2 Play the connected equipment.

To change a source name in the display

When the VIDEO/AUX button is pressed, VIDEO is displayed initially. It can be changed to AUX or TV.

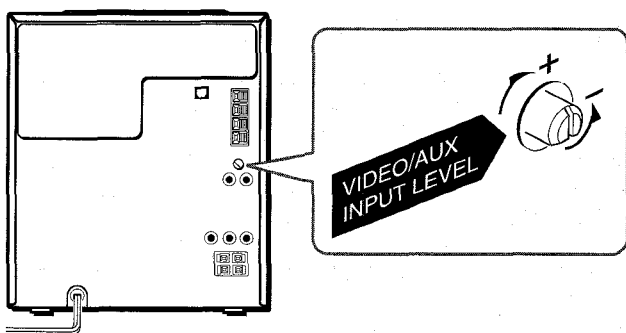
With the power on, press the POWER button while pressing the VIDEO/AUX button.

Repeat the procedure to select one of the names.

To adjust the sound level of the external source

When the sound level of the external source is much higher or much lower than that of other function sources, adjust it as follows.

- 1 Press the VIDEO/AUX button and play the equipment.
- 2 Turn the VIDEO/AUX INPUT LEVEL control on the rear panel until the sound level becomes the same as that of other function sources.



CARE AND MAINTENANCE

Occasional care and maintenance of the unit and the software are needed to optimize the performance of your unit.

To clean the cabinet

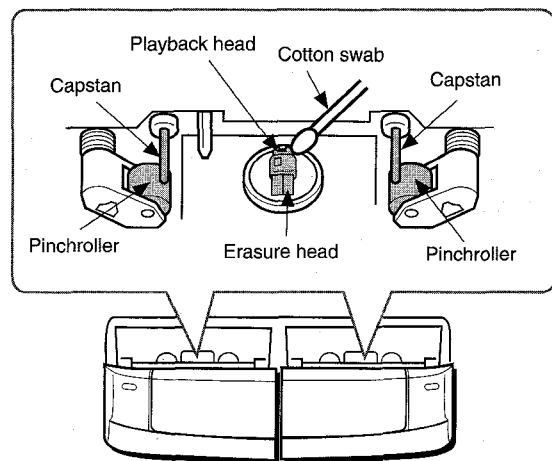
Use a soft and dry cloth.

If the surfaces are extremely dirty, use a soft cloth lightly moistened with mild detergent solution. Do not use strong solvents, such as alcohol, benzine or thinner as these could damage the finish of the unit.

To clean the heads and tape paths

After every 10 hours of use, clean the heads and tape paths with a head cleaning cassette or cotton swab moistened with cleaning fluid or denatured alcohol. (These cleaning kits are commercially available.)

When cleaning with a cotton swab, wipe the recording/playback head, erasure head (deck 2 only), capstans, and pinchrollers.



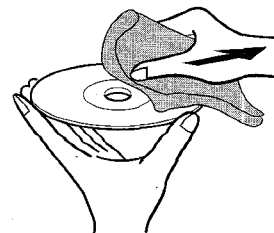
After cleaning the heads and tape paths with a liquid head cleaning cassette or a moistened swab, wait until the cleaned parts are completely dry before inserting the tapes.

To demagnetize the heads

The heads may become magnetized after long-term use. This may narrow the output range of recorded tapes and increase noise. After 20 to 30 hours use, demagnetize the heads with any commercially available demagnetizer.

Care of discs

- When a disc becomes dirty, wipe the disc from the center out with a cleaning cloth.



- After playing a disc, store the disc in its case. Do not leave the disc in places that are hot or humid.

Care of tapes

- Store tapes in their cases after use.
- Do not leave tapes near magnets, motors, television sets, or any source of magnetism. This will downgrade the sound quality and cause noise.
- Do not expose tapes to direct sunlight, or leave them in a car parked in direct sunlight.

SPECIFICATIONS

Main unit CX-NV8000

FM tuner section

Tuning range	87.5 MHz to 108 MHz
Usable sensitivity (IHF)	13.2 dBf
Antenna terminals	75 ohms (unbalanced)

AM tuner section

Tuning range	530 kHz to 1710 kHz (10 kHz step) 531 kHz to 1602 kHz (9 kHz step)
Usable sensitivity	350 μ V/m
Antenna	Loop antenna

Amplifier section

Power output	60 watts per channel, Min. RMS at 6 ohms, from 50 Hz to 20 kHz, with no more than 1% Total Harmonic Distortion
--------------	--

Total harmonic distortion	0.1 % (30 W, 1 kHz, 6 ohms, DIN AUDIO)
---------------------------	--

Inputs	VIDEO/AUX: 230 mV (adjustable) MIC 1, MIC 2: 1.7 mV (10 kohms)
--------	---

Outputs	SUPER WOOFER: 1.9 V SPEAKERS: accept speakers of 6 ohms or more SURROUND SPEAKERS: accept speakers of 16 ohms or more PHONES (stereo jack): accepts headphones of 32 ohms or more
---------	--

Cassette deck section

Track format	4 tracks, 2 channels stereo
Frequency response	CrO ₂ tape: 50 Hz – 16000 Hz Normal tape: 50 Hz – 15000 Hz
Signal-to-noise ratio	60 dB (Dolby B NR ON, CrO ₂ tape peak level)
Recording system	AC bias
Heads	Deck 1: Playback head \times 1 Deck 2: Recording/playback/erase head \times 1

Compact disc player section

Laser	Semiconductor laser ($\lambda = 780$ nm)
D-A converter	1 bit dual
Signal-to-noise ratio	83 dB (1 kHz, 0 dB)
Harmonic distortion	0.05 % (1 kHz, 0 dB)
Wow and flutter	Unmeasurable

Speaker system SX-ANV8000

Cabinet type	4 way, bass reflex with surround speaker (magnetic shielded type)
Speakers	Woofer: 140 mm (5 ⁵ / ₈ in.) cone type Tweeter: 50 mm (2 in.) cone type Super tweeter: 20 mm (1 ³ / ₁₆ in.) ceramic type Cardioid speaker: 80 mm (3 ¹ / ₄ in.) cone type Surround speaker: 80 mm (3 ¹ / ₄ in.) cone type
Impedance	Front speaker: 6 ohms Surround speaker: 16 ohms
Output sound pressure level	87 dB/W/m
Dimensions (W \times H \times D)	235 \times 310 \times 270 mm (9 ³ / ₈ \times 12 ¹ / ₄ \times 10 ³ / ₄ in.)
Weight	4.3 kg (9 lbs 8 oz.)

General


Power requirements	120 V AC, 60 Hz
Power consumption	135 W
Dimensions of main unit (W \times H \times D)	260 \times 307 \times 349 mm (10 ¹ / ₄ \times 12 ¹ / ₈ \times 13 ³ / ₄ in.)
Weight of main unit	7.8 kg (17 lbs 3 oz.)

Specifications and external appearance are subject to change without notice.

BBE SYSTEM

The word "BBE" and the "BBE symbol" are trademarks of BBE Sound, Inc.
Under license from BBE sound, Inc.

DOLBY NR

Dolby noise reduction manufactured under license from Dolby Laboratories Licensing Corporation.
"DOLBY" and the double-D symbol  are trademarks of Dolby Laboratories Licensing Corporation.

TROUBLESHOOTING GUIDE

If the unit fails to perform as described in these Operating Instructions, check the following guide.

GENERAL

There is no sound.

- Is the AC cord connected properly?
- Is there a bad connection? (→ page 3)
- There may be a short circuit in the speaker terminals.
→ Disconnect the AC cord, then correct the speaker connections.
- Was an incorrect function button pressed?

Sound is emitted from one speaker only.

- Is the other speaker disconnected?

The output sound is not stereo.

- Is the Karaoke function turned on? (→ page 17)

An erroneous display or a malfunction occurs.

- Reset the unit as stated below.

TUNER SECTION

There is constant, wave-like static.

- Is the antenna connected properly? (→ page 3)
- Is the signal weak?
→ Connect an outdoor antenna.

The reception contains noise interferences or the sound is distorted.

- Is the system picking up external noise or multipath distortion?
→ Change the orientation of the antenna.
→ Move the unit away from other electrical appliances.

CASSETTE DECK SECTION

The tape does not run.

- Is deck 2 in pause mode? (→ page 11)

The sound is off-balance or not adequately high.

- Is the playback head dirty? (→ page 21)

Recording is not possible.

- Is the erasure prevention tab on the tape broken off? (→ page 12)
- Is the recording head dirty? (→ page 21)

Erasure is not possible.

- Is the erasure head dirty? (→ page 21)
- Is a metal tape being used?

High frequency sound is not emitted.

- Is a tape recorded without Dolby NR played back with the Dolby NR system operating? (→ page 11)
- Is the recording/playback head dirty? (→ page 21)

CD PLAYER SECTION

The CD player does not play.

- Is the disc correctly inserted? (→ page 9)
- Is the disc dirty? (→ page 21)
- Is the lens affected by condensation?
→ Wait approximately one hour and try again.

To reset

If an unusual condition occurs in the display window or the cassette decks, reset the unit as follows.

- 1 Press the POWER button to turn off the power.
- 2 Press the POWER button to turn the power back on while pressing the ■ CLEAR button. Everything stored in memory after purchase is canceled.

If the power cannot be turned off in step 1 because of a malfunction, reset by disconnecting the AC cord and repeat step 2.

PARTS INDEX

Instructions about each part on the main unit or remote control are indicated on the pages listed below.

(in alphabetic order)

Parts	Pages
CD	9
CD EDIT/CHECK (EDIT/CHECK)	9, 15, 16
■ CLEAR	8, 9, 11
CLOCK	5
DEMO	5
DIGITAL ECHO	17
◀▶ DIRECTION/PRESET	8, 9, 11
DISC CHANGE	9
DISC DIRECT PLAY	9
DOLBY NR	12
◀◀, I◀◀ DOWN	7, 9, 11
EDIT/CHECK (CD EDIT/CHECK)	9, 15, 16
FRONT SURROUND	7
GEQ	6
KARAOKE (VOCAL FADER/MULTIPLEX)	17
KARAOKE ENTER	18
MIC 1, MIC 2	17
MIC MIXING	17
▲ OPEN/CLOSE	9
PHONES	6
POWER	5
PRGM	10
RANDOM	10
● (●/○) REC/REC MUTE	13
REPEAT/MONO TUNER	7, 10
REV MODE (DECK 2)	11
■ SET	8, 9
SLEEP	20
SYNC DUB NORM/HIGH	14
TAPE/DECK 1/2	11, 13
T-BASS	6
TIMER	19
TUNER/BAND	7
▶▶, ▶▶ UP	7, 9, 11
VIDEO/AUX	21
VOCAL FADER/MULTIPLEX (KARAOKE)	17
VOLUME	6
0-9, +10	10

Principle of Aiwa's Front 180° Speaker System

Aiwa's Front 180° Speaker System provides excellent sound balance for true stereo reproduction from any listening angle.

In stereo sound reproductions systems up to now, the listening area where the optimal stereo effect is obtained has been extremely narrow. This is due to the following reasons.

As shown in Figure 2, a conventional stereo system has speakers on the front panel of the speaker system, pointing forward. It is designed for listening in a location directly in front of the front speaker panel.

In this case, as shown in Figure 2, a listener at point (a), located on the center line between the right and left speakers, hears the voice of a singer coming from the center front. Instrumental sounds are distributed evenly between both speakers for an optimal stereo effect.

At point (b), however, located off the center line between the speakers, the distance from the left speaker to the listener is greater than the distance from the right speaker. Sound from the left speaker appears to be faint, and sound from the right speaker appears to be loud. Sound is perceived as coming from the speaker with the greater volume, so that the singer's voice appears to shift toward the right speaker. The normally balanced instrumental sounds also appear to come primarily from the right speaker.

Moreover, since the directivity of speakers increases with higher frequencies, high-frequency sounds from the left speaker become even harder to hear, increasing the impression of imbalance. For these reasons, the listening area which provides even sound balance and the optimal stereo effect is limited to the narrow area shown in Figure 2-(a).

To solve this problem, Aiwa has developed uni-directional speakers for this new speaker system featuring cardioid directivity for frequencies of 1 kHz or less. These speakers are pointed inward at angles of 45° (see Figure 1). Driven by left and right stereo sound signals, these speakers act to increase the width of the optimum listening area (see Figure 3). Because of their cardioid directivity and the 45° angle of their main speaker axis, they provide enhanced sound reproduction at point (b) in Figure 3. The left speaker is pointed toward the listener, and the right speaker is pointed away from the listener, so that the directivity of the speakers compensates for the differences in perceived volume caused by the differences in distance to the listener. Therefore, the sound of a singer's voice is perceived as coming from a point midway between the speakers, and instrumental sounds are distributed evenly.

Figure 1 Front 180° speaker system

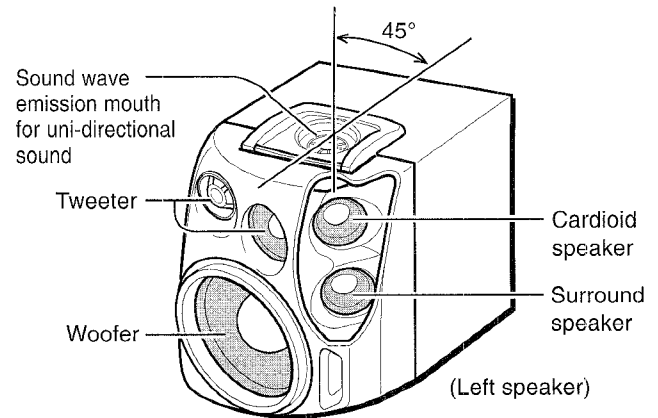
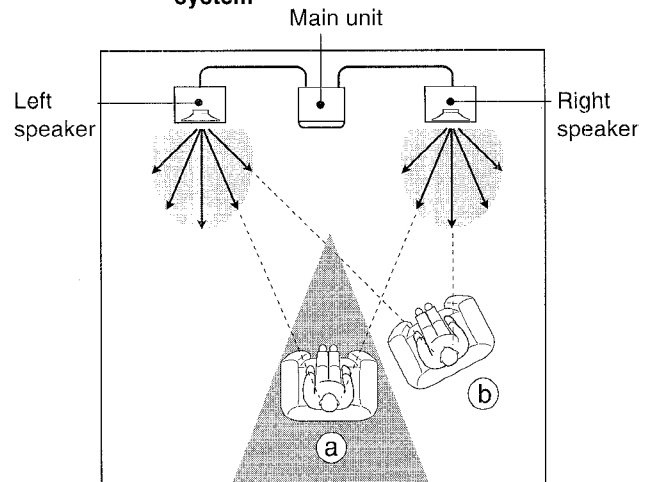


Figure 2 Stereo effect with a conventional speaker system

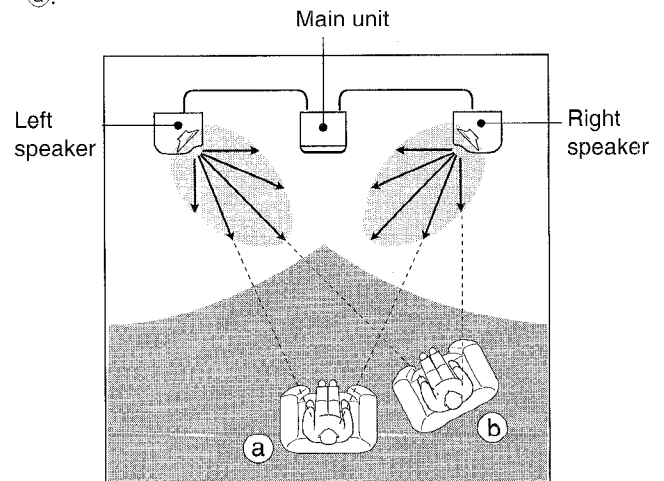


- (a) Center listening point: Balanced sound heard from left and right speakers
- (b) Off-center listening point: Right speaker sounds louder than left speaker

→: Sound pressure level
 [shaded area]: Stereo listening area

Figure 3 Stereo effect with Aiwa Front 180° speaker system

True stereo sound can be heard at point (b) as well as point (a).



→: Sound pressure level
 [shaded area]: Stereo listening area of new speakers

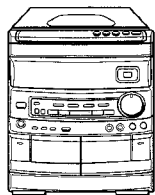
Bienvenido al sistema estéreo Aiwa

Enhorabuena por haber adquirido un sistema estéreo Aiwa. Para optimizar las prestaciones de este sistema, tome el tiempo necesario para leer completamente este manual de instrucciones y familiarizarse con los procedimientos de utilización.

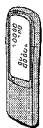
Compruebe su sistema y los accesorios

CX-NV8000 Sintonizador, amplificador, platina de cassette y reproductor de discos compactos estéreo

SX-ANV8000 Altavoces delanteros (izquierdo y derecho)



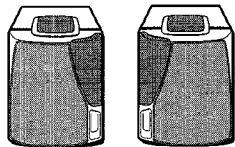
Control remoto



Antena de AM



Manual de instrucciones, etc.



Antena de FM



Anotación del propietario

Para su conveniencia, anote el número de modelo y el número de serie (los encontrará en el panel trasero de su aparato) en el espacio suministrado más abajo. Menciónelos cuando se ponga en contacto con su concesionario Aiwa en caso de tener dificultades.

N.º de modelo	N.º de serie (N.º de lote)
CX-NV8000	
SX-ANV8000	

ADVERTENCIA

PARA REDUCIR EL RIESGO DE INCENDIOS O SACUDIDAS ELECTRICAS. NO EXPONGA ESTE APARATO A LA LLUVIA NI A LA HUMEDAD.

CAUTION

RISK OF ELECTRIC SHOCK
DO NOT OPEN

"CAUTION: TO REDUCE THE RISK OF ELECTRIC SHOCK, DO NOT REMOVE COVER (OR BACK). NO USER-SERVICEABLE PARTS INSIDE. REFER SERVICING TO QUALIFIED SERVICE PERSONNEL."

INDICE

PREPARATIVOS

PRECAUCIONES	2
CONEXIONES	3
ANTES DE LA OPERACION	5
PUESTA EN HORA DEL RELOJ	5

SONIDO

AJUSTE DEL SONIDO	6
SISTEMA DELANTERO DE SONIDO AMBIENTAL	7

RECEPCION DE LA RADIO

SINTONIZACION MANUAL	7
PREAJUSTE DE EMISORAS	8

REPRODUCCION DE DISCOS COMPACTOS

OPERACIONES BASICAS	9
---------------------------	---

REPRODUCCION DE CINTAS

OPERACIONES BASICAS	11
REPRODUCCION CONTINUA	12

GRABACION

GRABACION BASICA	13
COPIADO MANUAL DE UNA CINTA	14
COPIADO DE TODA LA CINTA	14
GRABACION CON EDICION AI	15
GRABACION CON EDICION PROGRAMADA	16

KARAOKE

MEZCLA MICROFONICA	17
PROGRAMAS DE KARAOKE	18

TEMPORIZADOR

AJUSTE DEL TEMPORIZADOR	19
AJUSTE DEL TEMPORIZADOR PARA DORMIR	20

OTRAS CONEXIONES

CONEXION DE UN EQUIPO OPCIONAL	20
ESCUCHA DE FUENTES DE SONIDO EXTERNAS	21

GENERALIDADES

CUIDADOS Y MANTENIMIENTO	21
ESPECIFICACIONES	22
GUIA PARA LA SOLUCION DE PROBLEMAS	23
INDICE DE LAS PARTES	23

PRINCIPIO DEL SISTEMA DE ALTAVOCES DELANTERO DE 180° DE AIWA	24
--	----

Explicación de los símbolos gráficos:



El símbolo del rayo con punta de flecha, en el interior de un triángulo equilátero, tiene la finalidad de avisar al usuario de la presencia de "tensiones peligrosas" sin aislar en el interior del producto que podrían ser de suficiente magnitud como para constituir un riesgo de sacudida eléctrica para las personas.




El signo de exclamación en el interior de un triángulo equilátero tiene la finalidad de avisar al usuario de la presencia de instrucciones de operación y mantenimiento (reparación) en el material impreso que acompaña al aparato.

PRECAUCIONES

Lea cuidadosa y completamente el manual de instrucciones antes de utilizar la unidad. Asegúrese de guardar el manual de instrucciones para utilizarlo como referencia en el futuro. Todas las advertencias y precauciones del manual de instrucciones y de la unidad deberán cumplirse estrictamente, así como también las sugerencias de seguridad mencionadas más abajo.

Instalación

- 1 Agua y humedad** — No utilice esta unidad cerca del agua como, por ejemplo, cerca de una bañera, una palangana, una piscina o algo similar.
- 2 Calor** — No utilice esta unidad cerca de fuentes de calor, incluyendo salidas de aire caliente, estufas u otros aparatos que generen calor.
No deberá colocarse tampoco en lugares donde la temperatura sea inferior a 5°C o superior a 35°C.
- 3 Superficie de montaje** — Ponga la unidad sobre una superficie plana y nivelada.
- 4 Ventilación** — La unidad deberá situarse donde tenga suficiente espacio libre a su alrededor, para que la ventilación apropiada quede asegurada. Deje un espacio libre de 10 cm por la parte posterior y superior de la unidad, y 5 cm por cada lado.
- No ponga la unidad sobre una cama, una alfombra o superficies similares que podrían tapar las aberturas de ventilación.
- No instale la unidad en una librería, mueble o estantería cerrada herméticamente donde la ventilación no sea adecuada.
- 5 Entrada de objetos y líquidos** — Tenga cuidado de que pequeños objetos y líquidos no entren en la unidad por las aberturas de ventilación.
- 6 Carros de mano y soportes** — Cuando ponga o monte la unidad en un soporte o carro de mano, ésta deberá moverse con mucho cuidado.

Las paradas repentinas, la fuerza excesiva y las superficies irregulares pueden hacer que la unidad o el carro de mano se dé vuelta o se caiga.
- 7 Condensación** — En la lente del fonocaptor del reproductor de discos compactos tal vez se forme condensación cuando:
- La unidad se pase de un lugar frío a uno caliente.
- El sistema de calefacción se acabe de encender.
- La unidad se utilice en una habitación muy húmeda.
- La unidad se enfríe mediante un acondicionador de aire.
Esta unidad tal vez funcione mal cuando tenga condensación en su interior. En este caso, deje en reposo la unidad durante unas pocas horas y repita de nuevo la operación.
- 8 Montaje en pared o techo** — La unidad no se deberá montar en una pared ni en el techo, a menos que se especifique lo contrario en el manual de instrucciones.

Energía eléctrica

- 1 Fuentes de alimentación** — Conecte solamente esta unidad a las fuentes de alimentación especificadas en el manual de instrucciones, y como está marcado en la unidad.
- 2 Polarización** — Como característica de seguridad, algunas unidades están equipadas con clavijas de alimentación de CA polarizadas, las cuales sólo se pueden insertar de una forma en las tomas de corriente. Si resulta difícil o imposible insertar la clavija de alimentación de CA en una toma de corriente, dé vuelta a la clavija e inténtelo de nuevo. Si sigue sin poder insertar fácilmente la clavija en la toma de corriente, llame a un electricista cualificado para que modifique o reemplace la toma de corriente. Para evitar anular la característica de seguridad de la clavija polarizada, no la inserte a la fuerza en una toma de corriente.

3 Cable de alimentación de CA

- Cuando desconecte el cable de alimentación de CA, sujete la clavija de alimentación de CA y tire de ella. No tire del propio cable.
- Nunca maneje la clavija de alimentación de CA con las manos mojadas porque podría producirse un incendio o una sacudida eléctrica.
- Los cables de alimentación deberán colocarse de forma que no sean doblados excesivamente, pellizcados o pisados. Tenga mucho cuidado con el cable que va de la unidad a la toma de corriente.
- Evite sobrecargar las tomas de CA y los cables de extensión más allá de su capacidad porque esto podría causar un incendio o una sacudida eléctrica.

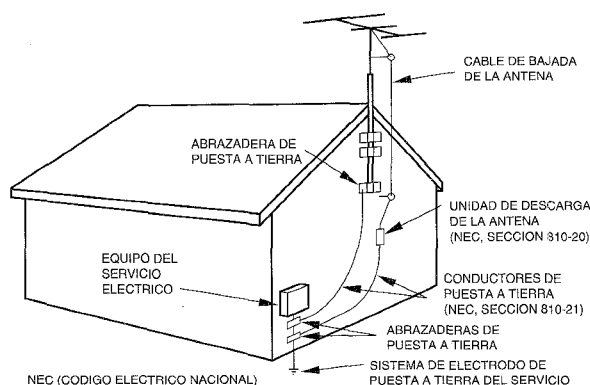
4 Cable de extensión — Para evitar sacudidas eléctricas, no utilice la clavija de alimentación de CA polarizada con un cable de extensión, ni tampoco en un receptáculo u otra toma de corriente a menos que la clavija polarizada pueda insertarse completamente evitando que sus patillas queden expuestas.

5 Periodos de no utilización — Desenchufe el cable de alimentación de CA de la toma de CA si la unidad no va a ser utilizada durante varios meses o más. Cuando el cable de alimentación esté conectado, por la unidad continuará circulando una pequeña cantidad de corriente, aunque la alimentación esté desconectada.

Antena exterior

- 1 Líneas de alta tensión** — Cuando conecte una antena exterior, asegúrese de colocarla lejos de las líneas de alta tensión.
- 2 Conexión a tierra de la antena exterior** — Asegúrese de que el sistema de la antena esté conectado correctamente a tierra para proporcionar así una protección contra el exceso inesperado de tensión o contra la acumulación de electricidad estática. El artículo 810 del Código Eléctrico Nacional, ANSI/NFPA70, proporciona información acerca de la puesta a tierra apropiada del mástil de la antena, la estructura de apoyo y el cable de bajada a la unidad de descarga de la antena, así como también del tamaño de la unidad de puesta a tierra, la conexión de los terminales de puesta a tierra y los requisitos para conectar a tierra los mismos terminales.

Puesta a tierra de la antena según el Código Eléctrico Nacional



Mantenimiento

Limpie la unidad sólo como se recomienda en el manual de instrucciones.

Daños que necesitan ser reparados

Haga que un técnico en reparaciones cualificado le repare las unidades si:

- El cable de alimentación de CA o su clavija está estropeado.
 - Objetos extraños o líquidos han entrado en la unidad.
 - La unidad ha estado expuesta a la lluvia o al agua.
 - La unidad no parece funcionar normalmente.
 - La unidad muestra un cambio considerable en sus prestaciones.
 - La unidad se ha caído o la caja se ha estropeado.
- NO TRATE DE REPARAR LA UNIDAD USTED MISMO.**

CONEXIONES

Antes de conectar el cable de alimentación de CA

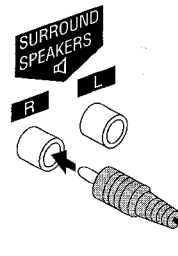
La tensión nominal de su unidad, mostrada en el panel trasero, es de 120 V. Asegúrese de que la tensión nominal coincida con la tensión empleada en su localidad.

IMPORTANTE

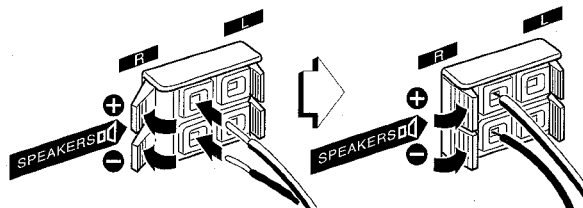
- Conecte primero los altavoces, las antenas y todos los demás equipos opcionales. Finalmente conecte el cable de alimentación de CA.
- El altavoz delantero marcado con una R en el panel trasero es el altavoz derecho, y el marcado con una L es el altavoz izquierdo.

1 Conecte el altavoz derecho a la unidad principal.

- ① Conecte el cable de altavoz de sonido ambiental al terminal SURROUND SPEAKERS R.



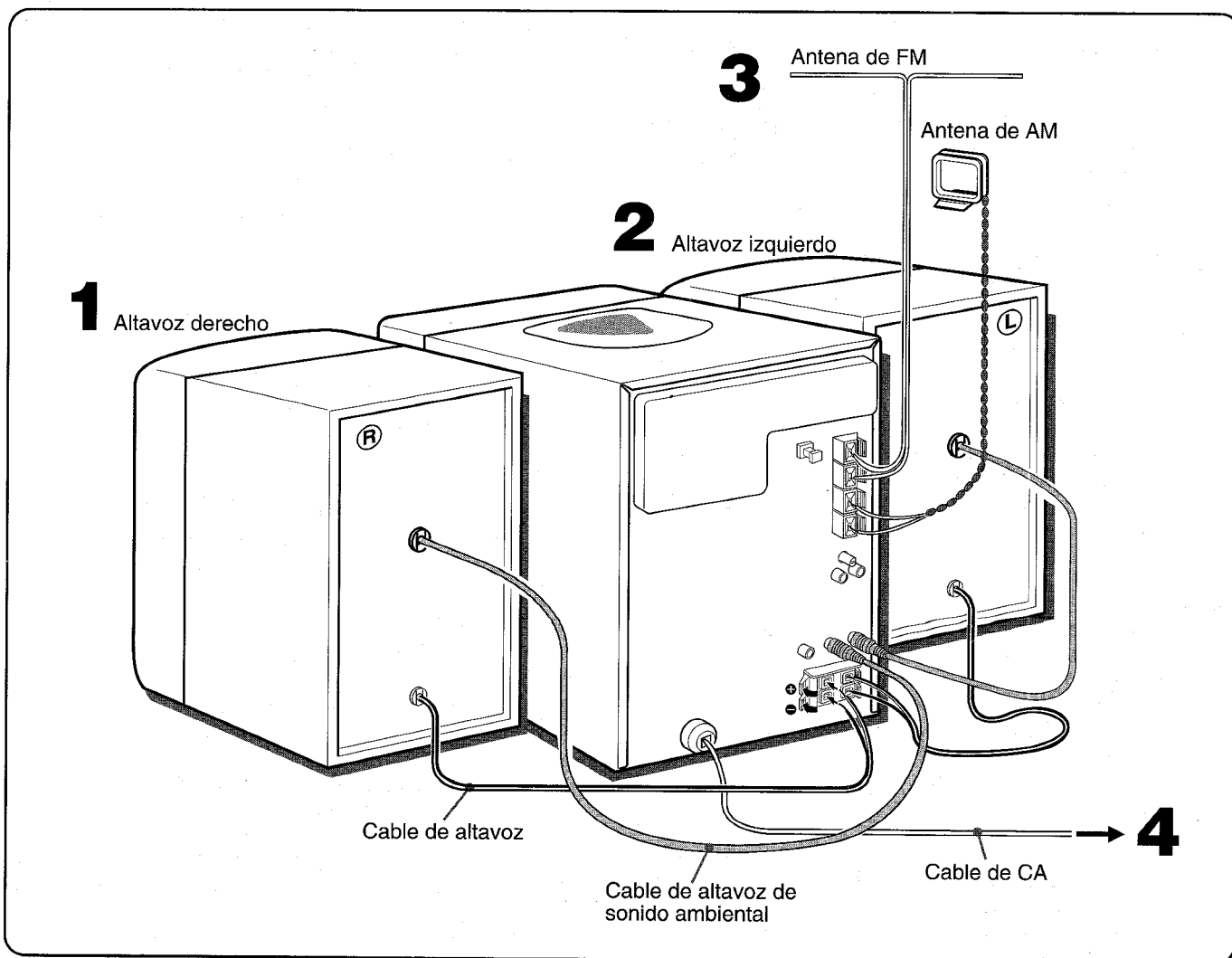
- ② Conecte el cable del altavoz a los terminales SPEAKERS R.



El cable de altavoz con la franja blanca deberá conectarse al terminal \oplus , y el cable negro al terminal \ominus .

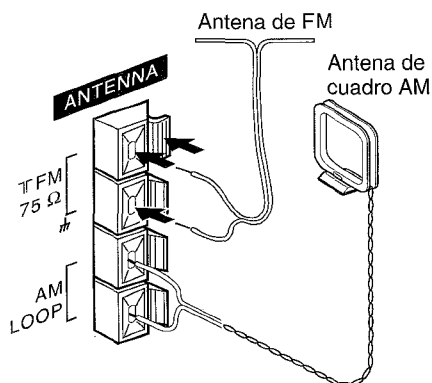
2 Conecte el altavoz izquierdo a la unidad principal.

Conecte el cable de altavoz de sonido ambiental al terminal SURROUND SPEAKERS L, y el cable del altavoz a los terminales SPEAKERS L, de igual forma que en el paso 1.



3 Conecte las antenas suministradas.

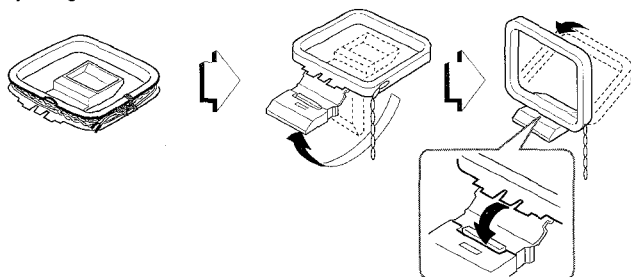
Conecte la antena de FM a los terminales FM 75 Ω , y la antena de AM a los terminales AM LOOP.



4 Conecte el cable de alimentación de CA a una toma de CA.

Para poner la antena de AM en posición vertical sobre una superficie

Fije el gancho en la ranura.



Para posicionar las antenas

Antena de FM:

Extienda horizontalmente esta antena formando una T y fije sus extremos en la pared.

Antena de cuadro de AM:

Póngala en la mejor dirección.

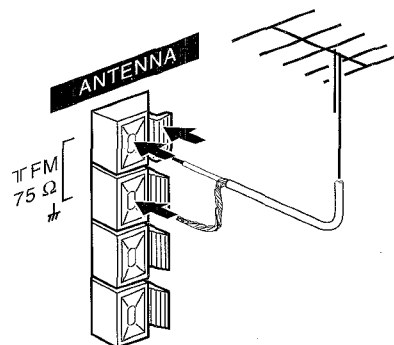
NOTA

- Asegúrese de conectar correctamente los cables de los altavoces. Las conexiones mal hechas podrían causar un cortocircuito en los terminales SPEAKERS.
- No deje objetos que generen magnetismo cerca de los altavoces.
- No ponga la antena de FM cerca de objetos metálicos o rieles de cortinas.
- No ponga la antena de AM cerca de otros equipos opcionales, el propio sistema estéreo, el cable de alimentación de CA o los cables de los altavoces, porque se captarán ruidos.
- No desbobine el cable de la antena de AM.

CONEXION DE UNA ANTENA EXTERIOR

Para obtener la mejor recepción de FM se recomienda utilizar una antena exterior.

Conecte la antena exterior a los terminales FM 75 Ω .

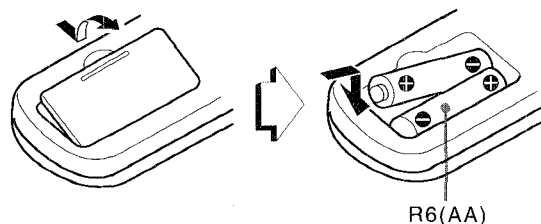


Para conectar otro equipo opcional → página 20.

CONTROL REMOTO

Inserción de las pilas

Quite la tapa de las pilas, ubicada en la parte trasera del control remoto, e inserte dos pilas R6 (tamaño AA).



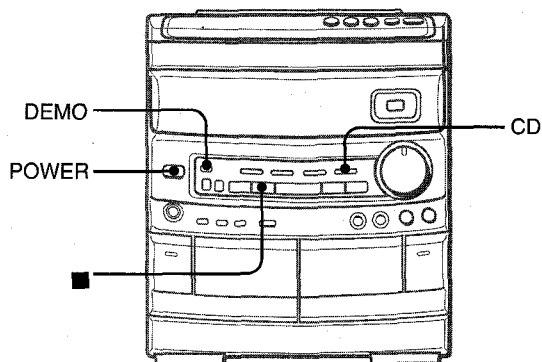
Cuándo reemplazar las pilas

La distancia máxima de operación entre el control remoto y el sensor de señales de la unidad principal deberá ser de 5 metros aproximadamente. Cuando disminuya esta distancia, reemplace las pilas por otras nuevas.

NOTA

- Si la unidad no va a ser utilizada durante mucho tiempo, quite las pilas para evitar las posibles fugas de electrolito.
- El control remoto quizá no funcione correctamente cuando:
 - La línea de visión entre el control remoto y el sensor de señales del interior del visualizador esté expuesta a una luz intensa como, por ejemplo, la luz del sol.
 - Otros controles remotos (de un televisor, etc.) estén siendo utilizados cerca de esta unidad.

ANTES DE LA OPERACION



Para encender la unidad

Pulse uno de los botones de función (TAPE, TUNER, VIDEO/AUX, CD).

La reproducción del disco o de la cinta insertada empezará o se recibirá la emisora previamente sintonizada (función de reproducción directa).

También podrá utilizarse el botón POWER.

El compartimiento de los discos tal vez se abra y se cierre para reponer la unidad.

Modo de demostración (DEMO)

Cuando el cable de alimentación de CA se conecte por primera vez, el visualizador mostrará las funciones de la unidad. Cuando se conecte la alimentación, la visualización DEMO será anulada por la visualización de operación. Cuando se desconecte la alimentación, el modo DEMO se repondrá.

Para cancelar el modo DEMO

Pulse el botón DEMO. Para volver al modo DEMO pulse de nuevo este botón.

Guías de iluminación

Siempre que se conecte el cable de alimentación de CA o se pulse uno de los botones de función, los botones para esa operación se encenderán o parpadearán.

Ejemplo: Cuando conecte el cable de alimentación de CA, el botón SET parpadeará como guía para poner la hora actual.

Ventanillas parpadearantes

Las ventanillas de la parte superior de la unidad y de las platinas de cassette se encenderán o parpadearán mientras la alimentación esté conectada.

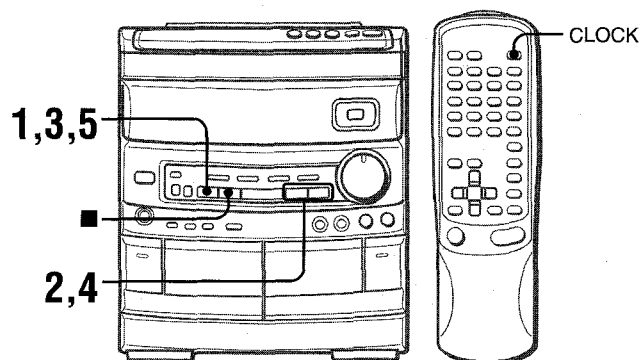
Para apagar la luz de la ventanilla superior, pulse el botón ■ mientras pulsa el botón CD. Para volver a encenderla, repita el procedimiento seguido para apagarla.

Para apagar la luz de las platinas, pulse el botón ■ mientras pulsa el botón TAPE. Para volver a encenderla, repita el procedimiento seguido para apagarla.

Después de la utilización

Pulse el botón POWER para desconectar la alimentación. La visualización pasará a ser la del reloj.

PUESTA EN HORA DEL RELOJ



Cuando el cable de alimentación de CA se conecte por primera vez, el botón SET parpadeará.

Ponga la hora como se indica a continuación, mientras la alimentación esté desconectada.

1 Pulse el botón SET.

La hora parpadeará.



2 Pulse el botón DOWN o UP para designar la hora.

3 Pulse el botón SET para poner la hora.

La hora dejará de parpadear y empezará a parpadear el minuto.

4 Pulse el botón DOWN o UP para designar el minuto.

5 Pulse el botón SET para poner el minuto y terminar la puesta de la hora.

El minuto dejará de parpadear en el visualizador y el reloj empezará desde 00 segundos.

Para corregir la hora actual

Pulse el botón POWER para apagar la unidad. Pulse el botón SET y siga los pasos 1 a 5 indicados más arriba.

Para visualizar la hora actual

Pulse el botón CLOCK del control remoto. El reloj se visualizará durante 4 segundos.

Sin embargo, la hora no se podrá visualizar durante la grabación.

Para cambiar al modo de 24 horas

Pulse el botón CLOCK del control remoto y luego pulse el botón ■ antes de que pasen 4 segundos.

Repita el mismo procedimiento para reponer el modo de 12 horas.

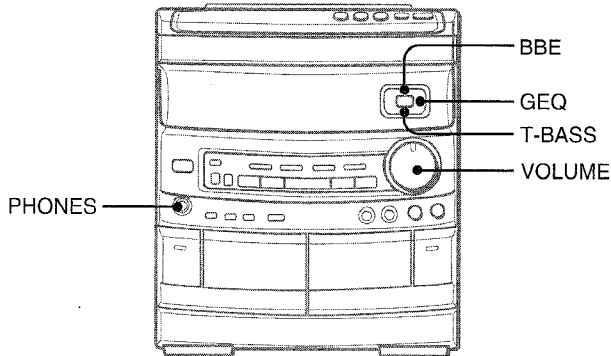
Si la visualización del reloj parpadea mientras la alimentación está desconectada

Esto se deberá a un interrupción en el suministro de alimentación. La hora tendrá que ponerse de nuevo.

Si la alimentación se interrumpe durante más de 24 horas, todos los ajustes almacenados en la memoria después de adquirir la unidad tendrán que ajustarse otra vez.

AJUSTE DEL SONIDO

Sus altavoces constan del sistema frontal de 180°, con altavoces unidireccionales y altavoces de sonido ambiental incorporados orientados hacia adentro con ángulos de 45°. Podrá obtener un sonido estéreo óptimo no sólo cuando se encuentre directamente delante de los altavoces, sino también cuando se encuentre lejos de la línea central de ambos altavoces.



CONTROL DE VOLUMEN

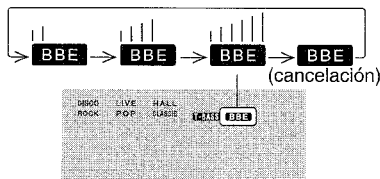
Gire el control **VOLUME** de la unidad principal o pulse los botones **VOLUME** del control remoto.

SISTEMA BBE

El sistema BBE realza la claridad del sonido de alta frecuencia. También mejora la función KARAOKE para que su voz suene más clara y agradable.

Pulse el botón BBE.

Cada vez que lo pulse, el nivel cambiará. Seleccione uno de los tres niveles o la posición de apagado, lo que usted prefiera.

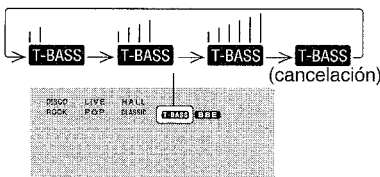


SISTEMA SUPER T-BASS

El sistema T-BASS realza el realismo del sonido de baja frecuencia.

Pulse el botón T-BASS.

Cada vez que lo pulse, el nivel cambiará. Seleccione uno de los tres niveles o la posición de apagado, lo que usted prefiera.



NOTA

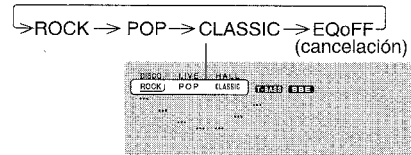
El sonido de baja frecuencia tal vez se distorsione cuando se utilice el sistema T-BASS con un disco o una cinta cuyo sonido de baja frecuencia haya sido realzado originalmente. En este caso, cancele el sistema T-BASS.

ECUALIZADOR GRAFICO

Esta unidad ofrece las tres curvas de ecualización diferentes siguientes:

- ROCK:** Sonido potente que realza los agudos y los graves.
- POP:** Más presencia en las voces y en la gama de registro medio.
- CLASSIC:** Sonido enriquecido con graves fuertes y agudos finos.

Pulse repetidamente el botón GEQ hasta que se visualice la curva de ecualización deseada.



AJUSTE DEL SONIDO DURANTE LA GRABACION

El volumen de salida y el tono (excepto BBE) de los altavoces o de los auriculares podrá cambiarse libremente sin afectar en absoluto al nivel de la grabación.

Grabación con BBE

La fuente de sonido deseada podrá grabarse con la función BBE para realzar la claridad del sonido de alta frecuencia. Cuando reproduzca una cinta grabada con BBE se recomienda desactivar BBE.

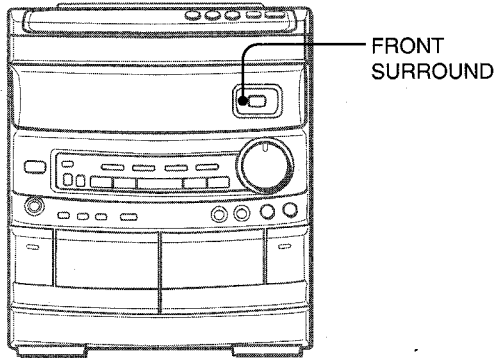
PREPARATIVOS SONIDO

E

Utilización de auriculares

Conecte auriculares con clavija estéreo estándar (6,3 mm ø) a la toma PHONES. Mientras los auriculares estén conectados no saldrá sonido de los altavoces.

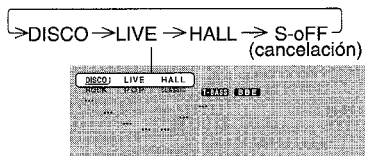
SISTEMA DELANTERO DE SONIDO AMBIENTAL



El sistema delantero de sonido ambiental utiliza un DSP (procesador de señal digital), para realzar el efecto del sonido ambiental simulado y aumentar su placer al escuchar la reproducción. Cuando seleccione el modo FRONT SURROUND, podrá obtener el efecto del sonido de una discoteca (DISCO), de actuaciones musicales en directo (LIVE) o de salas de conciertos (HALL).

Además, los altavoces delanteros de sonido ambiental están situados en el interior de las cajas de sus sistemas de altavoces, y están dirigidos hacia adentro para ofrecer un efecto eficaz de sonido ambiental simulado sin tener que conectar altavoces de sonido ambiental opcionales.

Pulse repetidamente el botón FRONT SURROUND hasta que se visualice el modo FRONT SURROUND deseado.



Las curvas de ecualización se seleccionan automáticamente para que concuerden con los modos FRONT SURROUND, y podrán seleccionarse o desactivarse según sus preferencias.

Cuando la fuente de sonido sea mono

Seleccione el modo LIVE para obtener un efecto estéreo simulado. Cuando seleccione DISCO o HALL, el sonido no saldrá por los altavoces de sonido ambiental.

Para cancelar el modo seleccionado

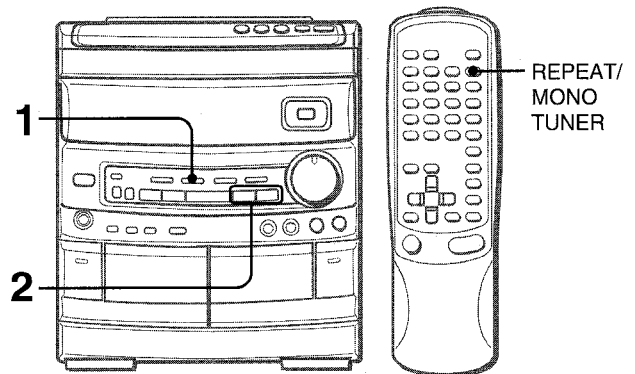
Pulse una vez más el botón seleccionado. Se visualizará "S-off".

Mientras el modo FRONT SURROUND esté desactivado no se oirá sonido por los altavoces de sonido ambiental.

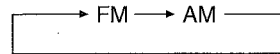
NOTA

Cuando se utilice un micrófono conectado, el sistema FRONT SURROUND se desactivará automáticamente.

SINTONIZACION MANUAL



1 Pulse repetidamente el botón TUNER/BAND para seleccionar la banda deseada.



Si la alimentación está desconectada se recibirá la emisora previamente sintonizada (función de reproducción directa).

2 Pulse el botón ◀◀ DOWN o ▶▶ UP para seleccionar una emisora.

Cada vez que pulse el botón, la frecuencia cambiará.

Cuando se reciba una emisora, "TUNE" se visualizará durante 2 segundos.

Durante la recepción estéreo por FM se visualizará ((Ⓜ)).



Para buscar rápidamente una emisora (búsqueda automática)

Mantenga pulsado el botón ◀◀ DOWN o ▶▶ UP hasta que el sintonizador empiece a buscar una emisora. Después de sintonizar una emisora, la búsqueda parará.

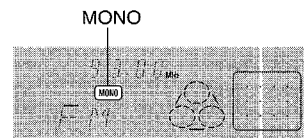
Para detener manualmente la búsqueda automática, pulse el botón ◀◀ DOWN o ▶▶ UP.

• La búsqueda automática quizá no pare en estaciones cuyas señales sean muy débiles.

Cuando una radiodifusión estéreo por FM tenga ruido

Pulse el botón REPEAT/MONO TUNER del control remoto para que "MONO" aparezca en el visualizador.

El ruido se reducirá, pero la recepción será mono.



Para reponer la recepción estéreo, pulse el botón para que desaparezca MONO.

Para cambiar el intervalo de sintonización de AM

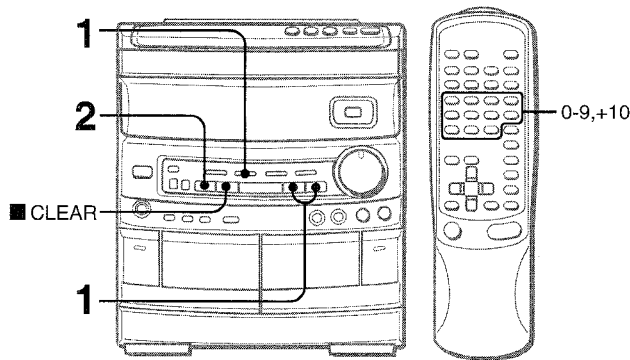
El ajuste por omisión del intervalo de sintonización de AM es de 10 kHz/paso. Si utiliza esta unidad en una zona donde el sistema de asignación de frecuencias sea de 9 kHz/paso, cambie el intervalo de sintonización.

Pulse el botón POWER mientras pulsa el botón TUNER/BAND. Para reponer el intervalo, repita este procedimiento.

NOTA

Cuando se cambie el intervalo de sintonización de AM, todas las emisoras preajustadas (consulte "PREAJUSTE DE EMISORAS") se borrarán. Las emisoras preajustadas tendrán que ajustarse de nuevo.

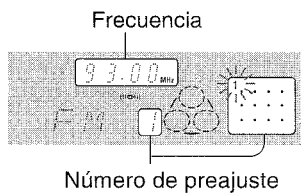
PREAJUSTE DE EMISORAS



Esta unidad puede almacenar un total de 32 emisoras. Cuando almacene una emisora, a esa emisora se le asignará un número de preajuste. Utilice el número de preajuste para sintonizar directamente una emisora preajustada.

1 Pulse el botón TUNER/BAND para seleccionar una banda, y pulse el botón ◀◀ DOWN o ▶▶ UP para seleccionar una emisora.

2 Pulse el botón || SET para almacenar la emisora.
A las emisoras de cada banda se les asigna un número de preajuste en orden consecutivo empezando por el 1.



3 Repita los pasos 1 y 2.

Si ya se ha almacenado un total de 32 emisoras de preajuste de todas las bandas no podrán almacenarse más emisoras.

SINTONIZACION MEDIANTE NUMERO DE PREAJUSTE

Utilice el control remoto para seleccionar directamente el número de preajuste.

1 Pulse el botón TUNER/BAND para seleccionar una banda.

2 Pulse los botones numéricos para seleccionar un número de preajuste.

Ejemplo:

Para seleccionar el número de preajuste 25, pulse los botones +10, +10 y 5.

Para seleccionar el número de preajuste 10, pulse los botones +10 y 0.

Selección de un número de preajuste en la unidad principal

Pulse el botón TUNER/BAND para seleccionar una banda. Luego, pulse repetidamente el botón ◀▶ DIRECTION/PRESET.

Cada vez que pulse el botón se seleccionará el siguiente número más alto.

Para borrar una emisora preajustada

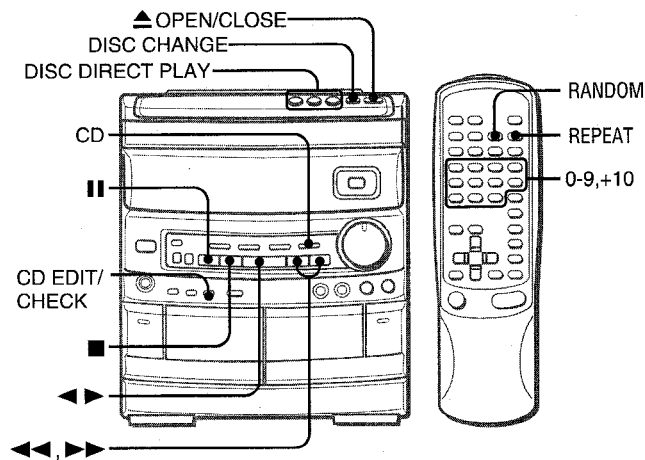
Seleccione el número de preajuste de la emisora que vaya a borrar. Luego, pulse el botón ■ CLEAR y el botón || SET antes de que pasen 4 segundos.

Los números de preajuste superiores de todas las demás emisoras de la banda disminuirán también en uno.

SONIDO
RECEPCION DE LA RADIO

E

OPERACIONES BASICAS



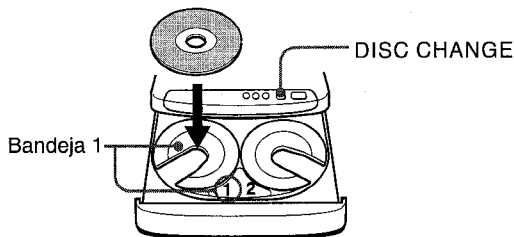
INTRODUCCION DE DISCOS

Pulse el botón CD, y luego pulse el botón **▲ OPEN/CLOSE** para abrir el compartimiento de los discos. Introduzca el(los) disco(s) con el lado de la etiqueta hacia arriba.

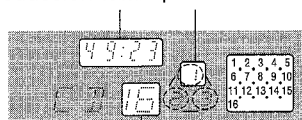
Para reproducir uno o dos discos, ponga los discos en las bandejas 1 y 2.

Para reproducir tres discos, pulse el botón DISC CHANGE para hacer girar las bandejas después de colocar dos discos. Ponga luego el tercer disco en la bandeja 3.

Cierre el compartimiento de los discos pulsando el botón **▲ OPEN/CLOSE**.



Tiempo de reproducción total Número de la bandeja del disco que va a ser reproducido.



Número total de canciones

REPRODUCCION DE DISCOS

Introduzca los discos.

Para reproducir todos los discos del compartimiento, pulse el botón **◀▶**.

La reproducción empezará por el disco de la bandeja 1.

Tiempo de reproducción transcurrido



Número de la canción que está siendo reproducida

Para reproducir un disco solamente, pulse uno de los botones DISC DIRECT PLAY.

El disco seleccionado se reproducirá una vez.

Para detener la reproducción, pulse el botón **■**.

Para hacer una pausa en la reproducción, pulse el botón **||**.

Para reanudar la reproducción, púlselo de nuevo.

Para buscar un punto particular durante la reproducción, mantenga pulsado el botón **◀◀** o **▶▶** y suéltelo en el punto deseado.

Para saltar hasta el principio de una canción durante la reproducción, pulse repetidamente el botón **◀◀** o **▶▶**.

Para quitar los discos, pulse el botón **▲ OPEN/CLOSE**.

Para iniciar la reproducción cuando la alimentación esté desconectada (función de reproducción directa)

Pulse el botón CD. La alimentación se conectará y la reproducción del(de los) disco(s) introducido(s) empezará.

Para reemplazar discos antes de la reproducción, pulse el botón **▲ OPEN/CLOSE** para abrir el compartimiento de los discos.

Para comprobar el tiempo restante

Pulse el botón CD EDIT/CHECK durante la reproducción. El tiempo restante hasta que todas las canciones terminen de reproducirse se visualizará. Para reponer la visualización del tiempo de reproducción, repita este procedimiento.

Selección de una canción con el control remoto

1 Pulse uno de los botones DISC DIRECT PLAY para seleccionar un disco.

2 Pulse los botones numéricos y el botón +10 para seleccionar una canción.

Ejemplo:

Para seleccionar la canción número 25, pulse los botones +10, +10 y 5.

Para seleccionar la canción número 10, pulse los botones +10 y 0.

La canción seleccionada empezará a reproducirse y la reproducción continuará hasta que termine el disco.

Reemplazo de discos durante la reproducción

Mientras se reproduzca un disco, los otros discos podrán reemplazarse sin interrumpir la reproducción.

1 Pulse el botón DISC CHANGE.

2 Quite los discos y ponga otros.

3 Pulse el botón **▲ OPEN/CLOSE** para cerrar el compartimiento de los discos.

NOTA

• Cuando introduzca un disco de 8 cm, póngalo en el círculo interior de la bandeja.

• No ponga más de un disco compacto en una misma bandeja.

• No incline la unidad habiendo discos introducidos. Hacer esto podría causar averías.

REPRODUCCION ALEATORIA

Todas las canciones de un disco seleccionado o de todos los discos podrán reproducirse aleatoriamente.

Pulse el botón RANDOM del control remoto.

RANDOM se enciende en el visualizador.

Para cancelar la reproducción aleatoria, púlselo de nuevo.

NOTA

- Aunque se pulse el botón ◀◀, una canción previamente reproducida no podrá ser omitida. La unidad volverá solamente al principio de la canción actual.
- La selección directa de las canciones con los botones numéricos es imposible.

REPETICION DE REPRODUCCION

Se puede reproducir repetidamente un solo disco o todos ellos.

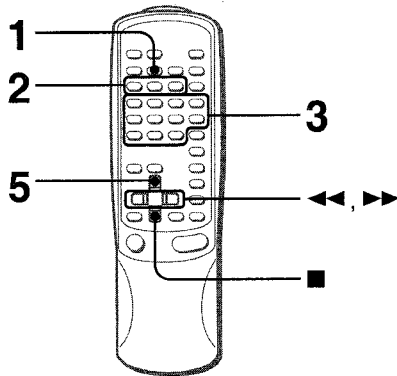
Pulse el botón REPEAT del control remoto.

◻ se enciende en el visualizador.

Para cancelar la repetición de reproducción, pulse de nuevo el botón.

REPRODUCCION PROGRAMADA

Se podrá programar un máximo de 30 canciones de cualquiera de los discos introducidos.



Utilice el control remoto.

1 Pulse dos veces el botón PRGM estando en el modo de parada.

El indicador PRGM parpadeará en el visualizador.



- Cuando el botón PRGM se pulse una vez en el paso 1, la unidad se pondrá en el modo PROGRAMAS DE KARAOKE (página 18).

2 Pulse uno de los botones DISC DIRECT PLAY para seleccionar un disco.

El disco seleccionado se indica en rojo en el visualizador.

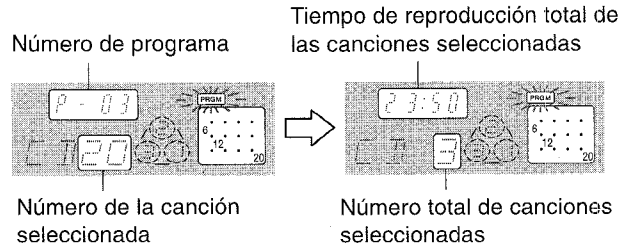
Vaya al paso siguiente cuando la bandeja deje de girar.

3 Pulse los botones numéricos y el botón +10 para programar una canción.

Ejemplo:

Para seleccionar la canción número 25, pulse los botones +10, +10 y 5.

Para seleccionar la canción número 10, pulse los botones +10 y 0.



4 Repita los pasos 2 y 3 para programar otras canciones.

5 Pulse el botón ◀▶ para iniciar la reproducción.

Para comprobar el programa

Cada vez que se pulse el botón ◀◀ o ▶▶ en el modo de parada se visualizará un número de disco, un número de canción y un número de programa.

Para borrar el programa

Pulse ■ CLEAR en el modo de parada.

Para añadir canciones al programa

Antes de reproducir, repita los pasos 2 y 3. La canción se programará después de la última canción programada.

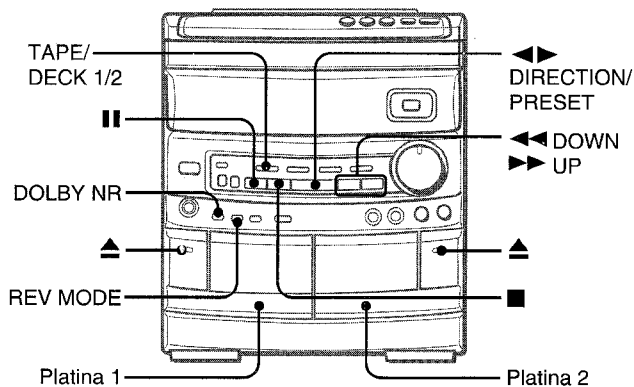
Para cambiar las canciones programadas

Borre el programa y repita todos los pasos de programación.

NOTA

Durante la reproducción programada, los botones CD EDIT/CHECK, DISC CHANGE, RANDOM, DISC DIRECT PLAY y numéricos no funcionarán.

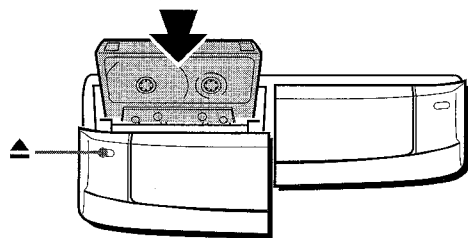
OPERACIONES BASICAS



INSERCIÓN DE CINTAS

- En la platina 1, las cintas se reproducen siempre por ambas caras.
En la platina 2, podrá seleccionar un modo de inversión para reproducir una o dos caras.
- Utilice cintas tipo I (normales), tipo II (alta polarización/CrO₂) o tipo IV (metal) para la reproducción.

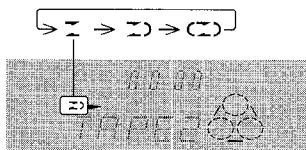
Pulse el botón TAPE y la marca ▲ EJECT para abrir el portacasete.



Inserte una cinta con el lado expuesto hacia abajo. Empuje el portacasete para cerrarlo.

Para seleccionar un modo de inversión (platina 2 solamente)

Cada vez que pulse el botón REV MODE, el modo de inversión cambiará.

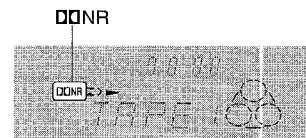


- Para reproducir una cara solamente, encienda I.
- Para reproducir de la cara delantera a la trasera una vez solamente, encienda I.
- Para reproducir repetidamente ambas caras, encienda I.
- Cuando haya cintas introducidas en ambas platinas, el indicador I del visualizador indicará la reproducción continua.

REPRODUCCION DE UNA CINTA

Inserte una cinta.

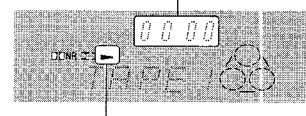
1 Pulse el botón DOLBY NR y active o desactive Dolby NR según el modo empleado en la cinta de reproducción.



Para cintas grabadas con DOLBY NR, encienda DOLBY NR.
Para cintas grabadas sin DOLBY NR, apague DOLBY NR.

2 Pulse el botón ◀▶ para iniciar la reproducción.

El contador de cinta indica el movimiento de la cinta.



Cara de reproducción de la cinta

- ▶: La cara que queda hacia adelante (cara delantera) está siendo reproducida.
- ◀: La cara que queda hacia atrás (cara trasera) está siendo reproducida.

Cuando haya cintas en ambas platinas

Pulse primero el botón TAPE para seleccionar una platina. El número de la platina seleccionada se visualizará.

Para detener la reproducción, pulse el botón ■.

Para hacer una pausa en la reproducción (platina 2 solamente), pulse el botón II. Para reanudar la reproducción, púselo otra vez.

Para cambiar la cara de reproducción, pulse el botón ◀▶ DIRECTION/PRESET en el modo de reproducción o en el de pausa.

Para avanzar rápidamente o rebobinar, pulse el botón ◀◀ o ▶▶ en el modo de parada. Luego pulse el botón ■ para detener la cinta.

Para iniciar la reproducción cuando la alimentación esté desconectada (función de reproducción directa)

Pulse el botón TAPE. La alimentación se conectará y la reproducción de la cinta insertada empezará.

Para poner el contador de cinta a 0000

Pulse el botón ■ CLEAR en el modo de parada. El contador se pondrá también a 0000 cuando se abra el portacasete.

SENSOR MUSICAL

Si hay un espacio sin grabar de 4 segundos o más entre cada canción, la búsqueda del principio de la canción que esté siendo reproducida o de la siguiente canción podrá realizarse fácilmente.

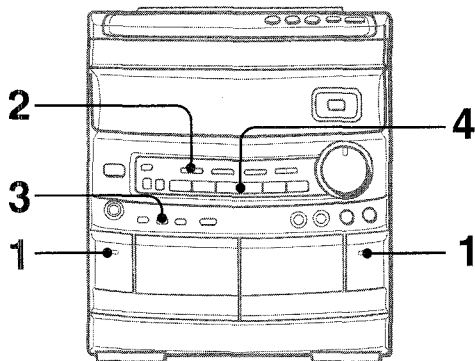
Cuando el indicador ▶ del botón ◀▶ esté parpadeando, pulse el botón ▶▶ para pasar a la siguiente canción o el botón ◀◀ para pasar al principio de la canción que esté siendo reproducida.

Cuando el indicador ◀ del botón ◀▶ esté parpadeando, pulse el botón ◀◀ para pasar a la siguiente canción o el botón ▶▶ para pasar al principio de la canción que esté siendo reproducida.

La función de búsqueda utiliza un sensor musical que tal vez no pueda detectar las canciones de las cintas cuando:

- Haya espacios sin grabar de menos de 4 segundos entre las canciones.
- Haya espacios sin grabar que tengan ruido.
- Haya pasajes largos con un sonido muy bajo.
- Los niveles de grabación sean bajos en general.

REPRODUCCION CONTINUA

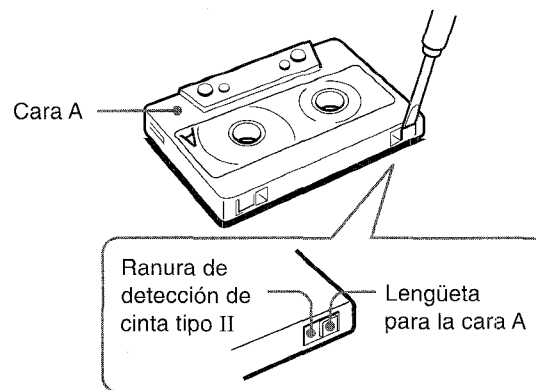


Después de terminar la reproducción en una platina, la cinta de la otra platina empezará a reproducirse sin interrupción.

- 1** Inserte cintas en las platinas 1 y 2.
- 2** Pulse el botón **TAPE/DECK 1/2** para seleccionar la platina que vaya a realizar la reproducción en primer lugar.
- 3** Pulse el botón **REV MODE** para seleccionar \curvearrowright .
- 4** Pulse el botón $\blacktriangleleft \blacktriangleright$ para iniciar la reproducción. La reproducción continuará hasta que se pulse el botón \blacksquare .

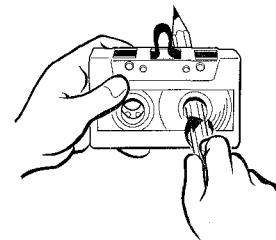
Acerca de las cintas de casete

- Para evitar el borrado accidental, rompa con un destornillador u otra herramienta puntiaguda las lengüetas de plástico del casete después de grabar.



Para volver a grabar en una cinta, tape las aberturas con cinta adhesiva, etc. (En cintas tipo II, tenga cuidado para no tapar la ranura de detección de cinta tipo II.)

- Las cintas de 120 minutos o más son extremadamente finas y se deforman o estropean fácilmente. No son recomendadas.
- Tense la cinta con un lapicero o herramienta similar antes de utilizarla. La cinta floja podrá romperse o atascarse en el mecanismo.

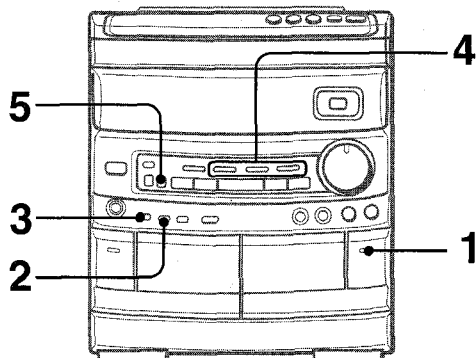


Sistema DOLBY NR

El sistema de reducción de ruido Dolby reduce el ruido de silbido de la cinta. Para obtener unas prestaciones óptimas cuando reproduzca una cinta grabada con el sistema DOLBY NR, active el sistema DOLBY NR.

GRABACION BASICA

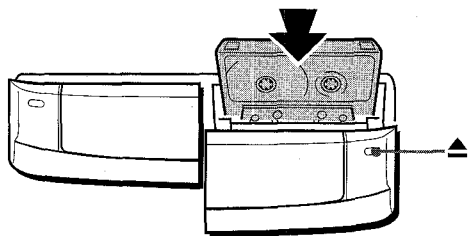
Esta sección explica cómo grabar del sintonizador, del reproductor de discos compactos o de equipos exteriores.



Preparación

- Bobine la cinta hasta el punto donde vaya a empezar la grabación.
- Utilice cintas tipo I (normales) y tipo II (alta polarización/CrO₂) para la grabación.

- 1 Inserte la cinta que vaya a grabar en la platina 2. Inserte la cinta con la cara que vaya a grabar en primer lugar hacia afuera y el lado expuesto hacia abajo.**



- 2 Pulse el botón REV MODE para seleccionar el modo de inversión.**

Para grabar en una cara solamente, encienda $\overline{\text{I}}$.
Para grabar en ambas caras, encienda $\overline{\text{II}}$ o $\overline{\text{III}}$.

- 3 Pulse el botón DOLBY NR para activar o desactivar Dolby NR.**

Para grabar con DOLBY NR, encienda $\overline{\text{NR}}$.
Para grabar sin DOLBY NR, apague $\overline{\text{NR}}$.

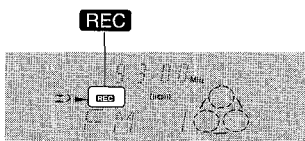
- 4 Pulse uno de los botones de función y prepare la fuente de sonido de la que vaya a grabar.**

Para grabar de un disco compacto, pulse el botón CD e introduzca el(los) disco(s).

Para grabar una radiodifusión, pulse el botón TUNER y sintonice la emisora.

Para grabar de una fuente de sonido conectada, pulse el botón VIDEO/AUX y active la reproducción.

- 5 Pulse el botón ● REC/REC MUTE para iniciar la grabación.**



Cuando la función seleccionada sea CD, la reproducción y la grabación empezarán simultáneamente.

Para detener la grabación, pulse el botón ■.

Para hacer una pausa en la grabación, pulse el botón II. (Puede aplicarse cuando la fuente de sonido sea TUNER o VIDEO/AUX.) Para reanudar la grabación, pulse de nuevo el botón.

Para iniciar la grabación con el control remoto

Pulse primero el botón ●/○ REC/REC MUTE y luego pulse el botón ◀▶ antes de que pasen 2 segundos.

INSERCIÓN DE ESPACIOS SIN GRABAR

La inserción de espacios sin grabar de 4 segundos permite la activación de la función del sensor musical. (Puede aplicarse cuando la fuente de sonido sea TUNER o VIDEO/AUX.)

- 1 Pulse el botón ● REC/REC MUTE durante la grabación o en el modo de pausa de grabación.**

REC parpadeará en el visualizador durante 4 segundos y la cinta avanzará sin grabarse. Después de 4 segundos, la platina entrará en el modo de pausa de grabación.

- 2 Pulse el botón II para reanudar la grabación.**

Para insertar un espacio sin grabar de menos de 4 segundos, pulse de nuevo el botón ● REC/REC MUTE mientras esté parpadeando REC.

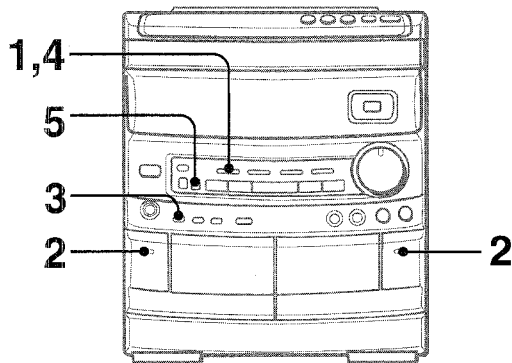
Para insertar espacios sin grabar de más de 4 segundos después de que la platina entre en el modo de pausa de grabación, pulse de nuevo el botón ● REC/REC MUTE. Cada vez que pulse el botón se añadirá un espacio sin grabar de 4 segundos.

Para borrar una grabación

Asegúrese de que el micrófono no esté conectado a esta unidad.

- 1 Inserte la cinta que vaya a borrar en la platina 2 y pulse el botón TAPE/DECK 1/2 para visualizar "TAPE 2".**
- 2 Ponga la cinta en el punto donde vaya a empezar a borrar.**
- 3 Ponga el modo de inversión pulsando el botón REV MODE.**
- 4 Pulse el botón ● REC/REC MUTE para iniciar el borrado.**

COPIADO MANUAL DE UNA CINTA



Preparación

- Ponga la cinta en el punto donde vaya a empezar la grabación.
- El modo de inversión se ajusta automáticamente a Σ .
Tenga en cuenta que la grabación se hará en una cara de la cinta solamente.

1 Pulse el botón TAPE.

2 Inserte la cinta original en la platina 1 y la cinta que vaya a grabar en la platina 2.

Inserte las cintas con las caras que vaya a reproducir o grabar hacia afuera de la unidad.

3 Pulse el botón DOLBY NR para desactivar Dolby NR.

$\square\square$ NR se apagará en el visualizador.

4 Pulse el botón TAPE/DECK 1/2 para seleccionar la platina 1.

Se visualiza TAPE 1.

5 Pulse el botón \bullet REC/REC MUTE para iniciar la grabación.

La reproducción y la grabación empezarán simultáneamente.

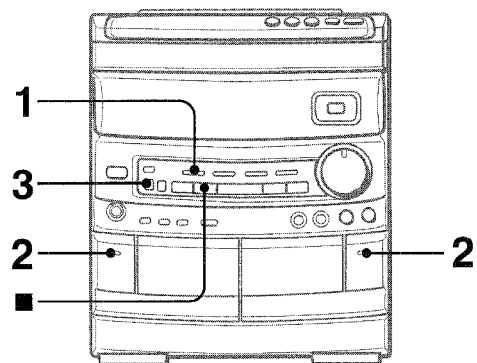
Para detener el copiado

Pulse el botón \blacksquare .

Para ajustar Dolby NR cuando reproduzca la cinta copiada

Pulse el botón DOLBY NR y active o desactive Dolby NR según el modo empleado en la cinta original.

COPIADO DE TODA LA CINTA



Esta función le permitirá hacer copias exactas de ambas caras de la cinta original. La cara de inversión de ambas cintas empezará simultáneamente tan pronto como termine de invertirse la cinta más larga.

NOTA

- La copia no empieza desde un punto ubicado en medio de la cinta.
- El modo de inversión se pone automáticamente en Σ .
- El ajuste Dolby NR no afecta a la grabación.

1 Pulse el botón TAPE.

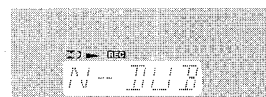
2 Inserte la cinta original en la platina 1 y la cinta que vaya a grabar en la platina 2.

Inserte cada cinta con la cara que vaya a ser reproducida o grabada hacia afuera de la unidad.

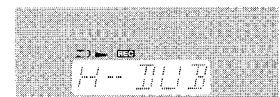
3 Pulse una o dos veces el botón SYNC DUB para iniciar la grabación.

- ① Para grabar a velocidad normal, púselo una vez para visualizar N-DUB.
- ② Para grabar a alta velocidad, púselo dos veces para visualizar H-DUB.

①



②



Las cintas se rebobinarán hasta el principio de las caras delanteras y empezará la grabación.

Para detener el copiado

Pulse el botón \blacksquare .

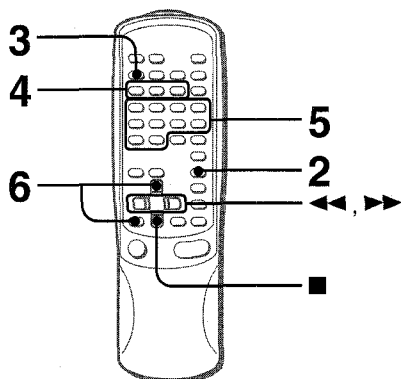
Para ajustar Dolby NR cuando reproduzca la cinta copiada

Pulse el botón DOLBY NR y active o desactive Dolby NR según el modo empleado en la cinta original.

NOTA

- La grabación no empezará si las lengüetas de prevención de borrado de ambos lados de la cinta están rotas.
- Si el segmento guía de la cinta que vaya a grabar es más largo que el de la cinta original, la grabación en la cara de inversión quizá se detenga sin haber terminado ésta. En ese caso, copie cada cara manualmente siguiendo el procedimiento de "COPIADO MANUAL DE UNA CINTA".

GRABACION CON EDICION AI



La función de edición AI permite grabar discos compactos sin preocuparse de la duración de la cinta y de las canciones. Cuando se inserte un disco compacto, la unidad calculará automáticamente la duración de las canciones. En caso de ser necesario, el orden de las canciones se cambiará para que ninguna canción quede cortada.

(AI: Inteligencia Artificial)

NOTA

La grabación con edición AI no empezará desde un punto que se encuentre en medio de la cinta. La cinta deberá grabarse desde el principio de cada cara.

Utilice el control remoto desde el paso 3 al 6.

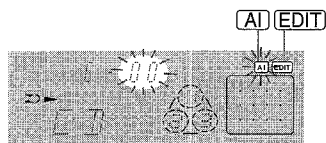
7 Inserte la cinta en la platina 2 y pulse el botón DOLBY NR para activar o desactivar Dolby NR.

Inserte la cinta con la cara que vaya a grabar en primer lugar hacia afuera de la unidad.

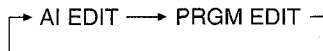
2 Pulse el botón CD e introduzca el(los) disco(s).

3 Pulse el botón EDIT/CHECK una vez.

"EDIT" se encenderá y "AI" parpadeará en el visualizador.



Cada vez que lo pulse, la visualización cambiará de la forma siguiente:



4 Pulse uno de los botones DISC DIRECT PLAY para seleccionar un disco.

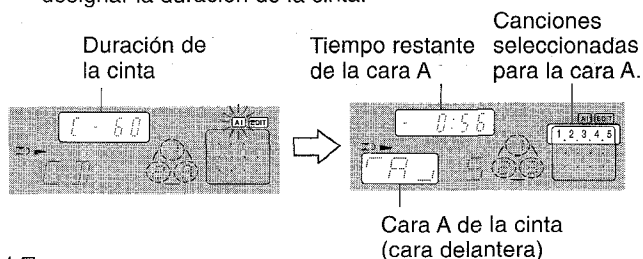
5 Pulse los botones numéricos para designar la duración de la cinta.

Se puede especificar una duración de 10 a 99 minutos.

Ejemplo: Cuando utilice una cinta de 60 minutos, pulse los botones 6 y 0.

En unos pocos segundos, el microprocesador decidirá las canciones que vayan a ser grabadas en cada cara de la cinta.

- Los botones ◀▶ y ▶▶ también se pueden utilizar para designar la duración de la cinta.



6 Pulse primero el botón ●/○ REC/REC MUTE y luego pulse el botón ◀▶ antes de que pasen 2 segundos para iniciar la grabación.

La cinta se rebobinará hasta el principio de la cara delantera, el segmento guía avanzará durante 10 segundos y la grabación empezará. Cuando termine de grabarse la cara delantera (cara A) empezará la grabación de la cara trasera (cara B).

Para detener la grabación

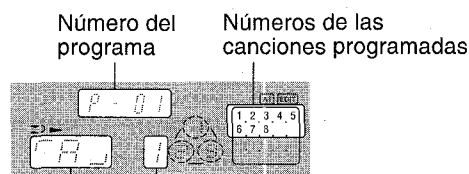
Pulse el botón ■. La grabación y la reproducción del disco compacto pararán simultáneamente.

Para borrar el programa de edición

Pulse el botón ■ CLEAR dos veces para que "EDIT" desaparezca del visualizador.

Para comprobar el orden de los números de las canciones programadas

Antes de grabar, pulse el botón EDIT/CHECK para seleccionar la cara A o la B, y pulse repetidamente el botón ◀▶ o ▶▶.



Cara de la cinta

Para añadir canciones de otros discos a un programa de edición

Si queda tiempo en la cinta después del paso 5, usted podrá añadir canciones de otros discos que se encuentren en el compartimiento de los discos compactos.

- 1 Pulse el botón EDIT/CHECK para seleccionar la cara A o B.
- 2 Pulse uno de los botones DISC DIRECT PLAY para seleccionar un disco.

- 3 Pulse los botones numéricos para seleccionar canciones.

[AI] se apagará y [PRGM] empezará a parpadear en el visualizador.

Una canción que tenga un tiempo de reproducción superior al tiempo restante no podrá ser programada.

- 4 Repita los pasos 2 y 3 para añadir más canciones.

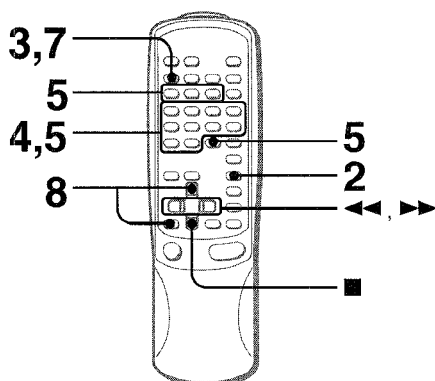
Tiempo de las cintas de casete y tiempo de edición

El tiempo real de grabación de los casetes es por lo general un poco más largo que el tiempo de grabación especificado en sus etiquetas. Esta unidad puede programar canciones para utilizar ese tiempo extra. Cuando el tiempo total de grabación sea un poco más largo que el tiempo de grabación especificado en el casete, después de la edición, el visualizador mostrará el tiempo extra (sin un signo menos) en lugar del tiempo restante de la cinta (con el signo menos).

NOTA

- La grabación no podrá realizarse si están rotas las lengüetas de prevención de borrado de ambos lados de la cinta.
- La función de edición AI no se podrá utilizar con discos que tengan 31 canciones o más.

GRABACION CON EDICION PROGRAMADA



La función de edición programada permite grabar discos compactos mientras se comprueba el tiempo restante de cada cara de la cinta según se programan las canciones.

NOTA

La grabación con edición programada no empezará desde un punto ubicado en medio de la cinta. La cinta deberá grabarse desde el principio de una de las caras.

Utilice el control remoto desde el paso 3 al 8.

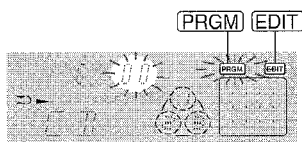
1 Inserte la cinta en la platina 2 y pulse el botón DOLBY NR para activar o desactivar Dolby NR.

Inserte la cinta con la cara que vaya a grabar en primer lugar hacia afuera de la unidad.

2 Pulse el botón CD e introduzca el(los) disco(s).

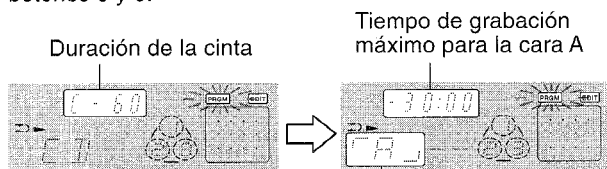
3 Pulse el botón EDIT/CHECK dos veces.

"EDIT" se encenderá y "PRGM" parpadeará en el visualizador.



4 Pulse los botones numéricos para designar la duración de la cinta.

Se puede especificar una duración de 10 a 99 minutos. Ejemplo: Cuando utilice cintas de 60 minutos, pulse los botones 6 y 0.



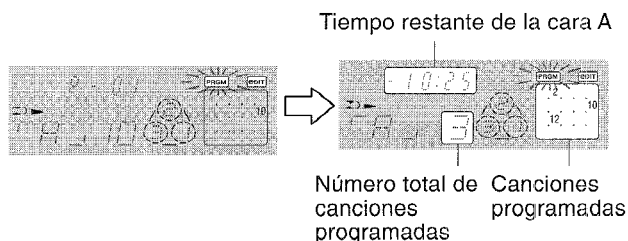
Cara A de la cinta (cara delantera)

5 Pulse uno de los botones DISC DIRECT PLAY para seleccionar un disco y pulse los botones numéricos para programar una canción.

Ejemplo: Para seleccionar la canción número 10 del disco 2, pulse DISC DIRECT PLAY 2 y los botones numéricos +10 y 0.

6 Repita el paso 5 para el resto de las canciones para la cara A.

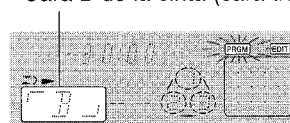
Una canción cuyo tiempo de reproducción sea superior al tiempo restante no podrá ser programada.



7 Pulse el botón EDIT/CHECK para seleccionar la cara B y programe las canciones para la cara B.

Después de confirmar que B aparezca en el visualizador, repita el paso 5.

Cara B de la cinta (cara trasera)



8 Pulse primero el botón ●/O REC/REC MUTE y luego pulse el botón ◀▶ antes de que pasen 2 segundos para iniciar la grabación.

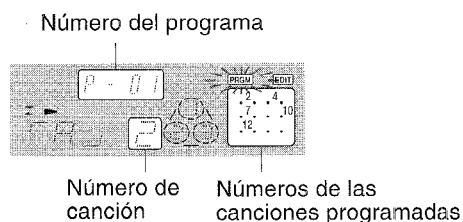
La cinta se rebobinará hasta el principio de la cara delantera, el segmento guía avanzará durante 10 segundos y la grabación empezará. Cuando termine de grabarse la cara delantera (A) empezará la grabación de la cara trasera (B).

Para detener la grabación

Pulse el botón ■. La grabación y la reproducción del disco compacto pararán simultáneamente.

Para comprobar el orden de los números de las canciones programadas

Antes de grabar, pulse el botón EDIT/CHECK para seleccionar la cara A o la B, y pulse repetidamente el botón ◀▶ o ▶▶.



Para cambiar el programa de cada cara

Pulse el botón EDIT/CHECK para seleccionar la cara A o B, y pulse el botón ■ CLEAR para borrar el programa de la cara seleccionada.

Luego vuelva a programar canciones.

Para borrar el programa de edición

Pulse el botón ■ dos veces para que "EDIT" desaparezca del visualizador.

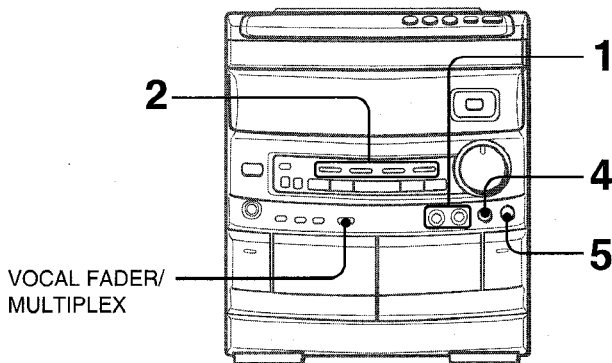
NOTA

La grabación no podrá realizarse si están rotas las lengüetas de prevención de borrado de ambos lados de la cinta.

GRABACION

E

MEZCLA MICROFONICA



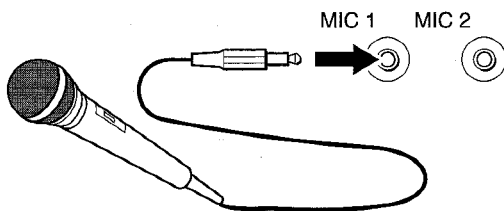
A esta unidad podrán conectarse dos micrófonos (no suministrados), permitiéndole así cantar con el acompañamiento de las fuentes musicales.

Utilice micrófonos con miniclavijas (3,5 mm ø).

Antes de conectar un micrófono

Ponga el control MIC MIXING en MIN.

1 Conecte sus micrófonos a las tomas MIC 1 y MIC 2.



2 Pulse uno de los botones de función para seleccionar la fuente de sonido que vaya a ser mezclada y luego reproduzca.

3 Ajuste el volumen y el tono de la fuente de sonido.

4 Ajuste el volumen del micrófono con el control MIC MIXING.

El volumen de ambos micrófonos se ajustará simultáneamente.

5 Ajuste el eco con el control DIGITAL ECHO.

Para grabar el sonido de micrófono mezclado con el sonido de la fuente

Siga el procedimiento de grabación de la fuente de sonido (consulte la página 13).

El botón SYNC DUB no se podrá utilizar para grabar la mezcla.

Cuando no utilice los micrófonos

Ponga los controles MIC MIXING y DIGITAL ECHO en MIN y desconecte los micrófonos de las tomas MIC.

NOTA

- Cuando se utilice un micrófono conectado, el sistema FRONT SURROUND se desactivará automáticamente.
- Si el micrófono se pone demasiado cerca de los altavoces quizá se produzca un ruido de aullido. En este caso, separe el micrófono de los altavoces o disminuya el nivel del sonido empleando el control MIC MIXING.
- Si el sonido del micrófono se pone a un nivel demasiado alto quizá se distorsione. En este caso, gire el control MIC MIXING hacia MIN.

Micrófonos recomendados

Se recomienda utilizar micrófonos tipo unidireccional para evitar el aullido. Póngase en contacto con su concesionario Aiwa para que le dé los detalles.

FUNCIONES DE DESVANECIMIENTO DE VOZ/MULTIPLEX

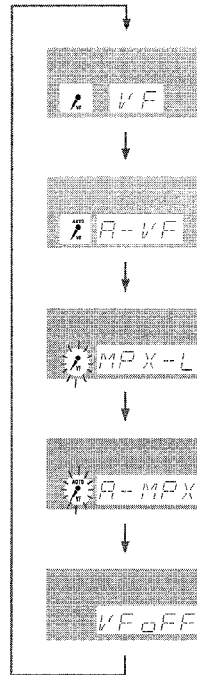
Esta unidad puede utilizar discos o cintas como fuentes de Karaoke

Pulse repetidamente el botón VOCAL FADER/MULTIPLEX para seleccionar la función de desvanecimiento de voz o de múltiplex.

Utilice la función de desvanecimiento de voz para discos o cintas normales.

Utilice la función de múltiplex para discos o cintas de audio múltiplex.

Cada vez que se pulse el botón VOCAL FADER/MULTIPLEX, una de las funciones siguientes se seleccionará en orden.



Desvanecimiento de voz

La voz del cantante se hace más suave que el acompañamiento.

Desvanecimiento de voz automático*1

La voz del cantante sólo se hace más suave cuando hay una entrada de audio a través de un micrófono.

Múltiplex*2

El sonido del canal izquierdo (o derecho) se oye por ambos altavoces, y el sonido del canal derecho (o izquierdo) se silencia.

Múltiplex automático*1

El sonido del canal izquierdo (o derecho) se oye por ambos altavoces, y el sonido del canal derecho (o izquierdo) se silencia solamente mientras hay una entrada de audio a través de un micrófono.

Cancelación

*1 Para cambiar el ajuste del tiempo de retardo de la función de desvanecimiento de voz automático y de la función de múltiplex automático

Cuando se seleccione la función de desvanecimiento de voz automático o la función de múltiplex automático, "A-VF" o "A-MPX" se visualizará durante 3 segundos y cambiará al nombre de la función seleccionada. Después de visualizarse el nombre de la función seleccionada, mantenga pulsado el botón VOCAL FADER/MULTIPLEX hasta que se seleccione el tiempo de retardo deseado, SLOW o FAST.

SLOW

La voz original del cantante volverá al nivel normal si no se produce una entrada de audio por el micrófono dentro de 2 segundos.

FAST

La voz original del cantante volverá al nivel normal si no se produce una entrada de audio por el micrófono dentro de 0,5 segundos.

Cuando se desconecte la alimentación, la función de desvanecimiento de voz automático y de múltiplex automático se repondrán a SLOW.

***2 Para cambiar el canal silenciado de la función de múltiplex**

Cuando se seleccione múltiplex, "MPX-L" se visualizará durante 3 segundos y cambiará al nombre de la función seleccionada. Después de visualizarse el nombre de la función seleccionada, mantenga pulsado el botón VOCAL FADER/MULTIPLEX hasta que el canal que vaya a salir por ambos altavoces, MPX-L o MPX-R, sea seleccionado.

MPX-L

El sonido del canal izquierdo se oye por ambos altavoces y el sonido del canal derecho se silencia.

MPX-R

El sonido del canal derecho se oye por ambos altavoces y el sonido del canal izquierdo se silencia.

Cuando se desconecte la alimentación, la función de múltiplex se repondrá a MPX-L.

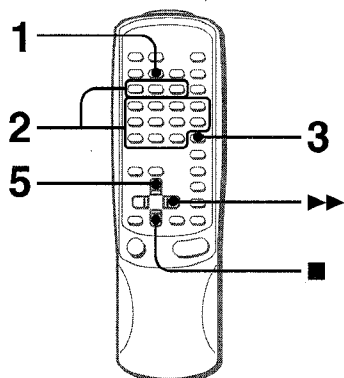
Cuando utilice el control remoto

Pulse el botón KARAOKE.

NOTA

- Las funciones VOCAL FADER tal vez no funcionen correctamente con las clases de discos compactos o cintas siguientes:
 - Discos o cintas con sonido mono
 - Discos o cintas grabados con ecos fuertes
 - Discos o cintas con la parte vocal grabada en el lado derecho o izquierdo del sonido
- Mientras la función VOCAL FADER esté activada, la salida de sonido será mono.

PROGRAMAS DE KARAOKE



Antes o durante la reproducción de discos compactos, usted podrá reservar un máximo de 15 canciones para reproducirlas después de la canción que esté siendo reproducida. Cada reserva se borrará cuando termine de reproducirse la canción.

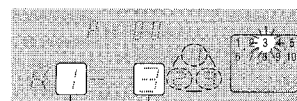
Utilice el control remoto.

1 Pulse el botón PRGM una vez.



2 Pulse uno de los botones DISC DIRECT PLAY para seleccionar un disco y los botones numéricos para seleccionar una canción.

3 Pulse el botón KARAOKE ENTER.



Número de disco reservado

Número de canción reservada

4 Repita los pasos 2 y 3 para reservar otras canciones.

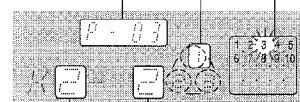
5 Pulse el botón ◀▶ para iniciar la reproducción.

Después de reproducir una canción, ésta se borrará del programa. En lugar de la canción borrada podrá reservarse otra canción.

Numero de canciones reservadas restantes

Disco que está siendo reproducido

El número de la canción que está reproduciéndose parpadea



Número del disco de la última reserva

Número de canción de la última reserva

Para añadir una reserva durante la reproducción

Repita los pasos 2 y 3.

Para comprobar las canciones reservadas

Pulse repetidamente el botón EDIT/CHECK. Cada vez que lo pulse, el número del disco y el número de la canción se visualizarán en el orden en que fueron reservados.

Para detener la reproducción

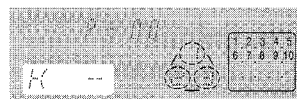
Pulse el botón ■. Pulse el botón ▶▶ para empezar de nuevo.

Para saltar una canción

Pulse el botón ▶▶. La canción saltada se borrará del programa.

Para borrar todas las reservas

Pulse repetidamente el botón ▶▶ hasta que se visualice "K".

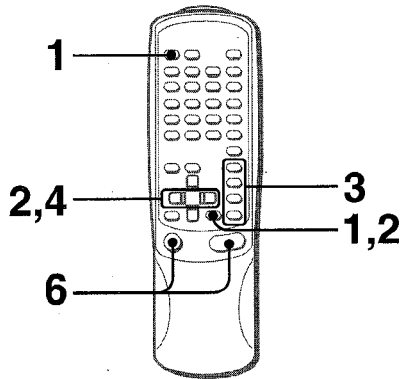


Púlselo una vez más para cancelar el programa de karaoke. La visualización volverá a ser la de la reproducción de discos compactos.

NOTA

- Si el número de la canción reservada no existe en el disco seleccionado, la unidad parará la reproducción y la visualización parpadeará. En este caso, pulse el botón ▶▶ para omitir esa canción. Y luego pulse el botón ▶▶ para iniciar la reproducción con la siguiente canción reservada.
- Cuando se pulse repetidamente el botón PRGM en el paso 1, PRGM se visualizará y la unidad se pondrá en el modo de reproducción programada de disco compacto (página 10). Para cancelar la reproducción programada, pulse el botón ■ CLEAR.

AJUSTE DEL TEMPORIZADOR



La unidad podrá encenderse a la hora especificada todos los días gracias al temporizador incorporado.

Preparación

Asegúrese de que la hora del reloj sea correcta. (Consulte la página 5.)

Utilice el control remoto.

1 Pulse una vez el botón TIMER del control remoto para visualizar ☉, y pulse el botón || SET antes de que pasen 4 segundos.

☉ se visualizará y la hora parpadeará.



NOTA

Si no pulsa el botón || SET antes de que pasen 4 segundos tal vez empiece otra operación.

2 Designe la hora de encendido del temporizador pulsando el botón ◀ DOWN o ▶ UP y luego pulse el botón || SET. Repita el mismo procedimiento para designar el minuto de encendido del temporizador.



Después de designar la hora de encendido del temporizador, TIMER y uno de los nombres de las fuentes de sonido parpadearán alternativamente durante 4 segundos en el visualizador.

3 Antes de que pasen 4 segundos, pulse uno de los botones de función para seleccionar una fuente de sonido.

"TIMER" y el nombre de la fuente de sonido seleccionada parpadearán alternativamente durante 4 segundos. En este momento, el botón de función seleccionado no se encenderá.

- Si este paso no se completa antes de que pasen 4 segundos, repita desde el paso 1.
- Si se pulsa el botón TUNER, la banda no se podrá seleccionar en este paso.

4 Antes de que pasen 4 segundos, seleccione la duración del periodo de reproducción activado por temporizador con el botón ◀ DOWN o ▶ UP.



La duración del periodo de reproducción activado por temporizador podrá ajustarse entre 10 y 240 minutos en pasos de 10 minutos.

- Si este paso no se completa antes de que pasen 4 segundos, repita desde el paso 1.

5 Prepare la fuente de sonido.

Para escuchar un disco compacto, introduzca el disco que vaya a reproducir en primer lugar en la bandeja 1.

Para escuchar una cinta, introduzca la cinta en la platina 1 o en la 2.

Para escuchar la radio, sintonice una emisora.

6 Pulse el botón POWER para apagar la unidad después de haber ajustado el volumen y el tono.

☉ permanecerá en el visualizador después de que se desconecte la alimentación (modo de espera del temporizador).



Cuando llegue la hora de encendido del temporizador, la unidad se encenderá y la reproducción empezará con la fuente de sonido seleccionada.

Para comprobar la fuente de sonido y el tiempo especificados

Pulse el botón TIMER del control remoto. La hora de encendido del temporizador y la fuente de sonido seleccionada se visualizarán durante 4 segundos. Sin embargo, la duración del periodo de reproducción activada por temporizador no se visualizará.

GRABACION CON TEMPORIZADOR

La grabación con temporizador sólo podrá utilizarse con las fuentes de sonido TUNER y VIDEO/AUX (con un temporizador externo).

Pulse dos veces el botón TIMER del control remoto para que ☉ aparezca en el visualizador, y pulse el botón || SET antes de que pasen 4 segundos. Repita los pasos mostrados arriba, a partir del paso 2, e inserte la cinta que vaya a grabar en la platina 2 después de efectuar el paso 5.

Para cancelar temporalmente el modo de espera del temporizador

Pulse el botón TIMER del control remoto para que ☉ o ☽ desaparezcan del visualizador.

Para reponer el modo de espera del temporizador, pulse de nuevo el botón para visualizar ☉ o ☽.

Utilización de la unidad mientras esté ajustado el temporizador

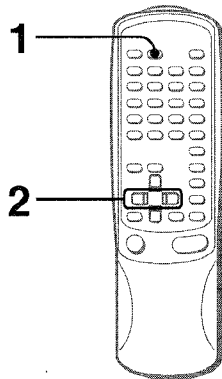
Podrá utilizar normalmente la unidad después de ajustar el temporizador.

Antes de desconectar la alimentación, repita el paso 5 para preparar la fuente de sonido y ajuste el volumen y el tono.

NOTA

- La reproducción y la grabación con temporizador no empezarán si no se desconecta la alimentación.
- El equipo conectado no se podrá encender ni apagar con el temporizador incorporado de esta unidad. Utilice en este caso un temporizador externo.

AJUSTE DEL TEMPORIZADOR PARA DORMIR PARA DORMIR



La unidad se podrá apagar automáticamente después de transcurrido un tiempo especificado.

Utilice el control remoto.

1 Pulse el botón SLEEP.



2 Antes de que pasen 4 segundos, pulse el botón ◀◀ o ▶▶ para especificar el tiempo tras el cual se desconectará la alimentación.

Cada vez que pulse el botón, el tiempo cambiará entre 10 y 240 minutos en pasos de 10 minutos.

El tiempo especificado



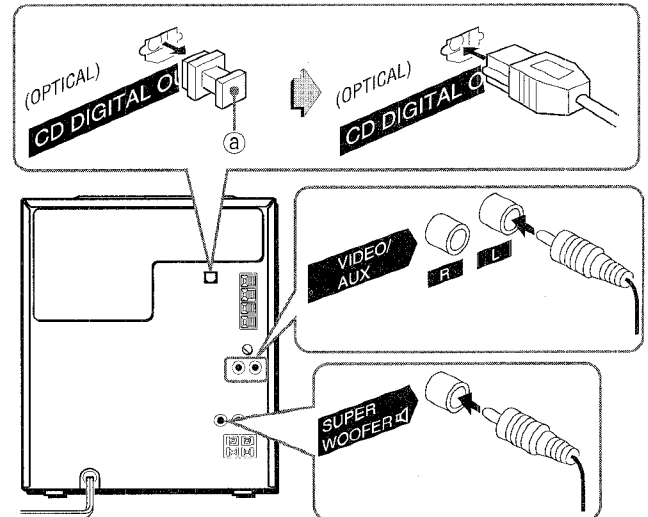
Para comprobar el tiempo que quede hasta que se desconecte la alimentación

Pulse una vez el botón SLEEP del control remoto. El tiempo restante se visualizará durante 4 segundos.

Para cancelar el temporizador para dormir

Pulse dos veces el botón SLEEP para que desaparezca "SLEEP" del visualizador.

CONEXION DE UN EQUIPO OPCIONAL



Consulte el manual de instrucciones del equipo conectado para tener más detalles.

- Los cables de conexión no han sido suministrados. Obtenga los cables de conexión necesarios.
- Consulte con su concesionario AIWA en cuanto al equipo opcional.

TOMAS VIDEO/AUX

Esta unidad puede introducir señales de sonido analógico a través de estas tomas.

Utilice un cable con clavijas fono RCA para conectar equipos de audio (giradiscos, reproductores de discos láser, vídeos, televisor, etc.).

Conecte la clavija roja a la toma R y la blanca a la toma L.

Cuando conecte un giradiscos

Utilice un giradiscos Aiwa con amplificador ecualizador incorporado.

TOMA CD DIGITAL OUT (OPTICAL)

Esta unidad pueda dar salida a señales de sonido digital de discos compactos a través de esta toma. Utilice un cable óptico para conectar el equipo de audio digital (amplificador digital, platina de cinta audiodigital, grabadora de minidiscos, etc.).

Quite la tapa contra el polvo (a) de la toma CD DIGITAL OUT (OPTICAL). Luego, conecte la clavija del cable óptico a la toma CD DIGITAL OUT (OPTICAL).

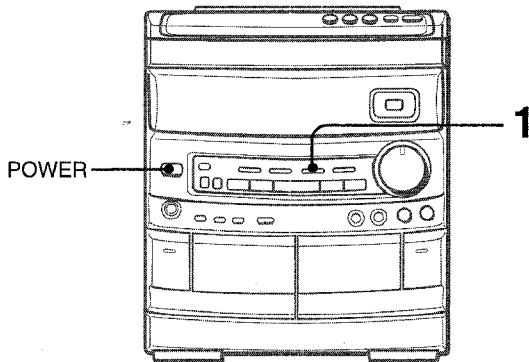
Cuando no se utilice la toma CD DIGITAL OUT (OPTICAL)

Ponga la tapa contra el polvo.

TOMA SUPER WOOFER

Conecte un altavoz de subgraves alimentado opcional con un amplificador incorporado a esta toma.

ESCUCHA DE FUENTES DE SONIDO EXTERNAS



Para hacer la reproducción en el equipo conectado a las tomas VIDEO/AUX, siga el procedimiento siguiente:

1 Pulse el botón VIDEO/AUX.
VIDEO aparecerá en el visualizador.

2 Haga la reproducción en el equipo conectado.

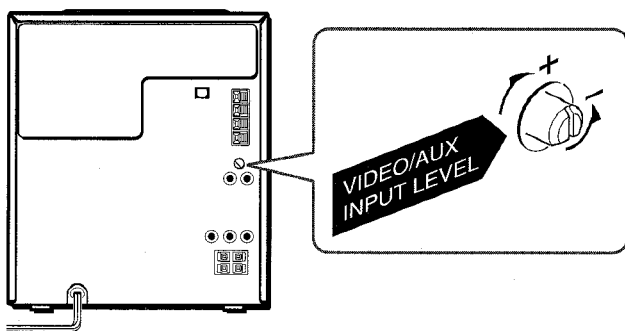
Para cambiar el nombre de una fuente de sonido en el visualizador

Cuando se pulse el botón VIDEO/AUX, VIDEO se visualizará inicialmente. Esto podrá ser cambiado por AUX o TV. Cuando la alimentación esté conectada, pulse el botón POWER mientras pulsa el botón VIDEO/AUX. Repita el procedimiento para seleccionar uno de los nombres.

Para ajustar el nivel del sonido de la fuente de sonido externa

Cuando el nivel del sonido de la fuente externa sea muy superior o muy inferior al nivel del sonido de otras fuentes de sonido, ajústelo de la forma siguiente:

- 1 Pulse el botón VIDEO/AUX y haga la reproducción en el equipo.
- 2 Gire el control VIDEO/AUX INPUT LEVEL del panel trasero hasta que el nivel del sonido sea el mismo que el de otras fuentes de sonido.



CUIDADOS Y MANTENIMIENTO

El mantenimiento y el cuidado ocasional de la unidad y del software resultan necesarios para optimizar las prestaciones de su unidad.

Para limpiar la caja

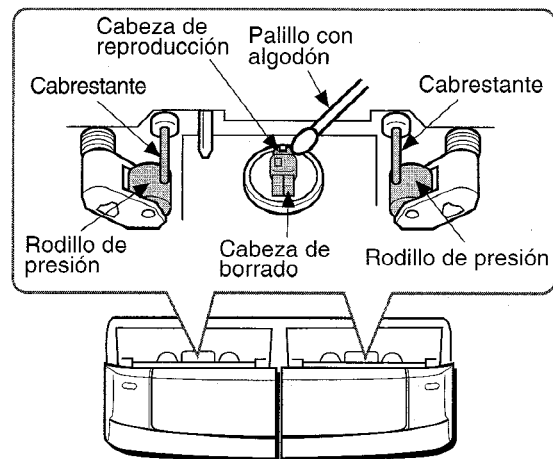
Utilice un paño blando y seco.

Si las superficies están muy sucias, utilice un paño suave humedecido un poco en una solución de detergente suave. No utilice disolventes fuertes tales como alcohol, bencina o diluyente porque éstos podrían estropear el acabado de la unidad.

Para limpiar las cabezas y los puntos por donde pasa la cinta

Después de cada 10 horas de funcionamiento, limpie las cabezas y los puntos por donde pasa la cinta con un casete de limpieza de cabezas o un palillo con algodón humedecido con líquido de limpieza o alcohol desnaturalizado. (Estos juegos de limpieza pueden adquirirse en los comercios del ramo.)

Cuando limpie con un palillo con algodón, limpie la cabeza de grabación/reproducción, la cabeza de borrado (platina 2 solamente), los cabrestantes y los rodillos de presión.



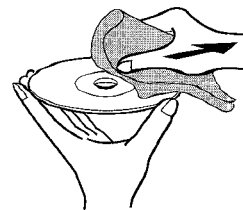
Después de limpiar las cabezas y los puntos por donde pasa la cinta con un casete de limpieza de cabezas que emplee líquido o un palillo con algodón humedecido en líquido de limpieza, espere hasta que las partes limpiadas estén completamente secas antes de introducir las cintas.

Para desmagnetizar las cabezas

Las cabezas se magnetizan después de utilizarlas durante mucho tiempo. Esto puede reducir la gama de salida de las cintas grabadas y aumentar el ruido. Después de 20 a 30 horas de utilización, desmagnetice las cabezas con un desmagnetizador de venta en el comercio del ramo.

Cuidado de los discos

- Cuando un disco esté sucio, límpielo pasando un paño de limpieza desde el centro hacia afuera.



- Después de reproducir un disco, guárdelo en su caja. No deje los discos en lugares calientes o húmedos.

Cuidados de las cintas

- Guarde las cintas en sus cajas después de utilizarlas.
- No deje las cintas cerca de imanes, motores, televisores o cualquier otra fuente de magnetismo. Esto reducirá la calidad del sonido y causará ruidos.
- No exponga cintas a la luz directa del sol, ni las deje en el interior de un automóvil estacionado bajo la luz directa del sol.

ESPECIFICACIONES

Unidad principal CX-NV8000

Sección del sintonizador de FM

Gama de sintonización	87,5 MHz a 108 MHz
Sensibilidad útil (IHF)	13,2 dBf
Terminales de antena	75 ohmios (desequilibrada)

Sección del sintonizador de AM

Gama de sintonización	530 kHz a 1710 kHz (pasos de 10 kHz) 531 kHz a 1602 kHz (pasos de 9 kHz)
Sensibilidad útil	350 μ V/m
Antena	Antena de cuadro

Sección del amplificador

Potencia de salida	60 vatios por canal, mínimo, valor cuadrático medio a 6 ohmios, de 50 Hz a 20 kHz, con no más del 1% de distorsión armónica total
--------------------	---

Distorsión armónica total	0,1% (30 W, 1 kHz, 6 ohmios, DIN AUDIO)
---------------------------	---

Entradas	VIDEO/AUX: 230 mV (ajustable) MIC 1, MIC 2: 1,7 mV (10 kiloohmios)
----------	---

Salidas	SUPER WOOFER: 1,9 V SPEAKERS: Acepta altavoces de 6 ohmios o más SURROUND SPEAKERS: Acepta altavoces de 16 ohmios o más PHONES (toma estéreo): Acepta auriculares de 32 ohmios o más
---------	---

Sección de la platina

Formato de pistas	4 pistas, 2 canales estéreo
Respuesta de frecuencia	Cinta de CrO ₂ : 50 Hz–16000 Hz Cinta normal: 50 Hz–15000 Hz 60 dB (Dolby B NR ON, nivel de cresta de cinta CrO ₂)
Relación señal a ruido	Polarización de CA
Sistema de grabación	Platina 1: 1 cabeza de reproducción
Cabezas	Platina 2: 1 cabeza de grabación/reproducción/borrado

Sección del reproductor de discos compactos

Láser	Láser de semiconductor ($\lambda = 780$ nm)
Convertidor D-A	1 bit doble
Relación señal a ruido	83 dB (1 kHz, 0 dB)
Distorsión armónica	0,05% (1 kHz, 0 dB)
Fluctuación y trémolo	No se puede medir

Sistema de altavoces SX-ANV8000

Tipo de caja	4 vías, reflejo de graves con altavoz de sonido ambiental (tipo de blindaje antimagnético)
--------------	--

Altavoces

Altavoz para graves:	Tipo cónico de 140 mm
Registro medio:	Tipo cónico de 80 mm
Altavoz para agudos:	Tipo cónico de 50 mm
Altavoz para superagudos:	Tipo cerámico de 20 mm
Altavoz de sonido ambiental:	Tipo cónico de 80 mm
Altavoces delanteros:	6 ohmios
Altavoces de sonido ambiental:	16 ohmios

Impedancia

Nivel de presión acústica de salida

87 dB/W/m

Dimensiones (An x Al x Prof)

235 x 310 x 270 mm

Peso

4,3 kg

Generalidades

Alimentación 120 V CA, 60 Hz

Consumo 135 W

Dimensiones de la unidad principal (An x Al x Prof) 260 x 307 x 349 mm

Peso de la unidad principal 7,8 kg

Las especificaciones y el aspecto exterior están sujetos a cambios sin previo aviso.


BBE SYSTEM

La sigla "BBE" y el símbolo "BBE" son marcas registradas de BBE Sound, Inc.

Bajo licencia de BBE Sound, Inc.

DOLBY NR

Reducción de ruido Dolby fabricado bajo licencia de Dolby Laboratories Licensing Corporation.

DOLBY y el símbolo de la D doble  son marcas de Dolby Laboratories Licensing Corporation.

GUIA PARA LA SOLUCION DE PROBLEMAS

Si la unidad no funciona como se describe en este manual de instrucciones, compruebe la guía siguiente:

GENERALIDADES

No hay sonido.

- ¿Está bien conectado el cable de alimentación de CA?
- ¿Hay alguna conexión mal hecha? (→ página 3)
- Puede haber un cortocircuito en los terminales de los altavoces.
→ Desconecte el cable de alimentación de CA y corrija las conexiones de los altavoces.
- ¿Se ha pulsado un botón de función equivocado?

Sólo sale sonido de un altavoz.

- ¿Está el otro altavoz desconectado?

La salida de sonido no es estéreo.

- ¿Está activada la función de karaoke? (→ página 17)

Se produce una visualización errónea o un mal funcionamiento.

- Vuelva a ajustar la unidad como se indica más abajo.

SECCION DEL SINTONIZADOR

Hay un ruido de estática constante en forma de onda.

- ¿Está conectada correctamente la antena? (→ página 3)
- ¿Es débil la señal?
→ Conecte una antena exterior.

La recepción tiene interferencias o el sonido está distorsionado.

- ¿Capta el sistema ruidos externos o distorsión de múltiples trayectorias?
→ Cambie la orientación de la antena.
→ Separe la unidad de otros aparatos eléctricos.

SECCION DE LA PLATINA

La cinta no se mueve.

- ¿Está la platina 2 en el modo de pausa? (→ página 11)

El sonido está desequilibrado o no alcanza la altura suficiente.

- ¿Está sucia la cabeza de reproducción? (→ página 21)

No es posible grabar.

- ¿Está rota la lengüeta de prevención contra borrado? (→ página 12)
- ¿Está sucia la cabeza de grabación? (→ página 21)

No es posible borrar la grabación.

- ¿Está sucia la cabeza de borrado? (→ página 21)
- ¿Está utilizando una cinta de metal?

No se emite sonido de alta frecuencia.

- ¿Está reproduciéndose una cinta grabada sin Dolby NR con el sistema Dolby NR activado? (→ página 11)
- ¿Está sucia la cabeza de grabación/reproducción? (→ página 21)

SECCION DEL REPRODUCTOR DE DISCOS COMPACTOS

El reproductor de discos compactos no puede reproducir.

- ¿Está bien insertado el disco? (→ página 9)
- ¿Está sucio el disco? (→ página 21)
- ¿Afecta la condensación a la lente?

- Espere una hora aproximadamente y pruebe otra vez.

Para reajustar la unidad

Si se produce alguna condición extraña en el visualizador o en las platinas, reajuste la unidad de la forma siguiente:

- 1 Pulse el botón POWER para desconectar la alimentación.
- 2 Pulse el botón POWER para conectar la alimentación mientras pulsa el botón ■ CLEAR. Todo lo que haya sido almacenado en la memoria después de haber adquirido la unidad se borrará.

Si no puede desconectarse la alimentación en el paso 1 debido a algún mal funcionamiento, reajuste la unidad desconectando el cable de alimentación de CA y repitiendo el paso 2.

INDICE DE LAS PARTES

Las instrucciones principales de cada parte de la unidad principal o del control remoto se indican en las páginas mostradas a continuación.

(En orden alfabético)

Partes	Páginas
CD	9
CD EDIT/CHECK (EDIT/CHECK)	9, 15, 16
■ CLEAR	8, 9, 11
CLOCK	5
DEMO	5
DIGITAL ECHO	17
◀▶ DIRECTION/PRESET	8, 9, 11
DISC CHANGE	9
DISC DIRECT PLAY	9
DOLBY NR	12
◀◀, I◀◀ DOWN	7, 9, 11
EDIT/CHECK (CD EDIT/CHECK)	9, 15, 16
FRONT SURROUND	7
GEQ	6
KARAOKE (VOCAL FADER/MULTIPLEX)	17
KARAOKE ENTER	18
MIC 1, MIC 2	17
MIC MIXING	17
▲ OPEN/CLOSE	9
PHONES	6
POWER	5
PRGM	10
RANDOM	10
● (●/○) REC/REC MUTE	13
REPEAT/MONO TUNER	7, 10
REV MODE (DECK 2)	11
II SET	8, 9
SLEEP	20
SYNC DUB NORM/HIGH	14
TAPE/DECK 1/2	11, 13
T-BASS	6
TIMER	19
TUNER/BAND	7
▶▶, ▶▶ UP	7, 9, 11
VIDEO/AUX	21
VOCAL FADER/MULTIPLEX (KARAOKE)	17
VOLUME	6
0-9, +10	10

Principio del sistema de altavoces delantero de 180° de Aiwa

El sistema de altavoces delantero de 180° de Aiwa proporciona un equilibrio excelente del sonido para obtener un verdadero estéreo desde cualquier ángulo de escucha.

Con los sistemas de reproducción de sonido estéreo fabricados hasta el momento, el área de escucha donde se obtiene el mejor efecto estéreo es extremadamente estrecha. Esto se debe a las razones siguientes:

Como se muestra en la figura 2, un sistema estéreo convencional tiene altavoces en el panel delantero del sistema de altavoces que indican hacia adelante. Es decir, el sistema ha sido diseñado para escuchar desde una posición ubicada directamente en frente del panel delantero del altavoz.

En este caso, como se muestra en la figura 2, un oyente en el punto (a), ubicado en la línea central entre los altavoces derecho e izquierdo, oye la voz de un cantante que procede de la parte delantera central. Los sonidos de los instrumentos se distribuyen uniformemente entre ambos altavoces para ofrecer un efecto estéreo óptimo.

Sin embargo, en el punto (b), ubicado fuera de la línea central entre los altavoces, la distancia desde el altavoz izquierdo hasta el oyente es superior a la distancia que separa al oyente del altavoz derecho. En este caso, el sonido procedente del altavoz izquierdo parece ser débil, mientras que el sonido procedente del altavoz derecho parece ser fuerte. El sonido procedente del altavoz con volumen más alto es el que primero se percibe, así que la voz del cantante parece que se desplaza hacia el altavoz derecho. Los sonidos instrumentales normalmente equilibrados también parece que proceden principalmente del altavoz derecho.

Además, como la directividad de los altavoces aumenta con las frecuencias más altas, los sonidos de alta frecuencia procedentes del altavoz izquierdo son más difíciles de oír, aumentando la impresión de un desequilibrio del sonido. Por estas razones, el área de escucha que proporciona un sonido equilibrado y un efecto estéreo óptimo se limita al área estrecha mostrada en la figura 2-(a).

Para resolver este problema, Aiwa ha desarrollado altavoces unidireccionales para este nuevo sistema de altavoces con directividad cardioide para frecuencias de 1 kHz o menos. Estos altavoces apuntan hacia adentro con ángulos de 45° (consulte la figura 1). Excitados por señales de sonido estéreo derechas e izquierdas, estos altavoces actúan para aumentar la anchura del área de escucha óptima (consulte la figura 3). Debido a su directividad cardioide y al ángulo de 45° de los ejes de sus altavoces principales, estos altavoces proporcionan una reproducción de sonido realzado en el punto (b) de la figura 3. El altavoz izquierdo apunta hacia el oyente, y el altavoz derecho apunta lejos del oyente, para que la directividad de los altavoces compense la diferencia en el volumen percibido debida a las diferencias de la distancia entre oyente y altavoces. Por lo tanto, el sonido de la voz del cantante se percibe como procedente de un punto intermedio entre los altavoces, y los sonidos de los instrumentos quedan distribuidos de forma más uniforme.

Figura 1 Sistema de altavoces delantero de 180°

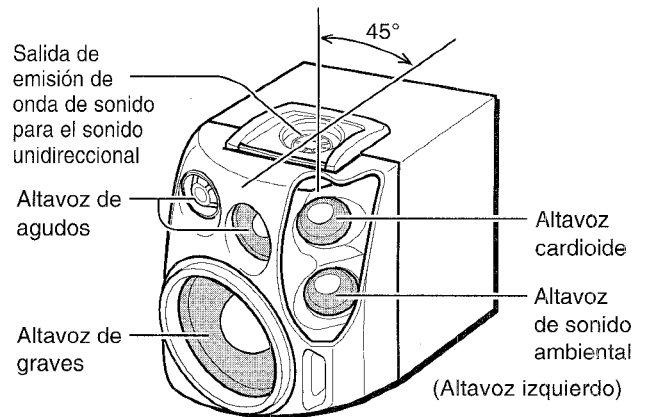
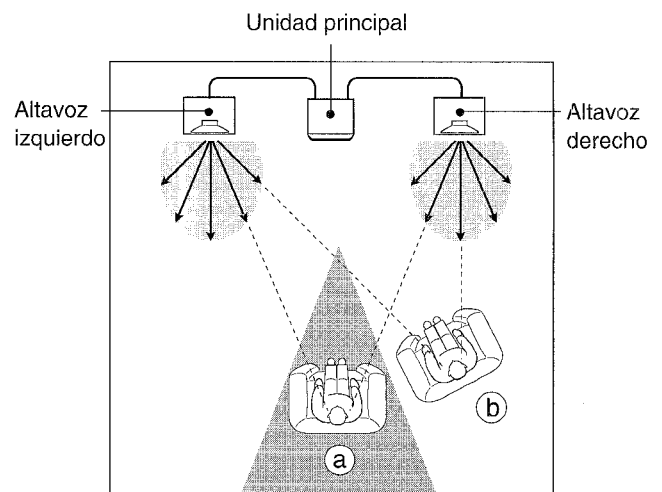


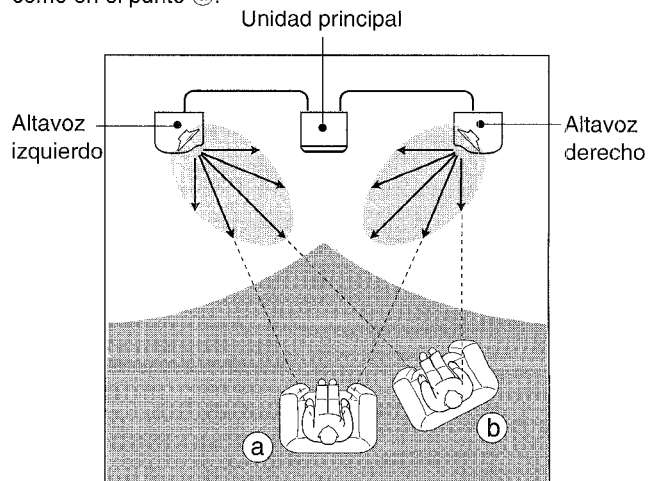
Figura 2 Efecto estéreo con sistema de altavoces convencional



- (a) Punto de escucha en el centro:
Sonido equilibrado procedente de los altavoces derecho e izquierdo.
 - (b) Punto de escucha fuera del centro:
El sonido del altavoz derecho es más alto que el del altavoz izquierdo.
- : Nivel de presión acústica
: Área de escucha de efectos estéreo

Figura 3 Efecto estéreo con sistema de altavoces delantero de 180° de Aiwa

Verdadero sonido estéreo que se puede oír tanto en el punto (b) como en el punto (a).



- : Nivel de presión acústica
- : Área de escucha de sonido estéreo de los nuevos altavoces

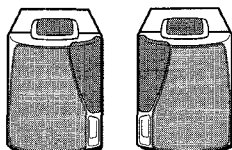
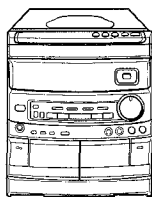
Aiwa vous souhaite la bienvenue.

Félicitations pour votre achat d'une chaîne stéréo Aiwa.
La lecture de ce mode d'emploi vous permettra de maîtriser l'utilisation et d'optimiser les performances de cette chaîne.

Contrôler la chaîne et les accessoires.

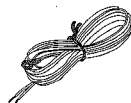
CX-NV8000 Radio
magnétocassette lecteur
de disques compacts
stéréo

SX-ANV8000 (G, D)
Enceintes avant



Télécommande

Antenne FM



Antenne AM



Mode d'emploi, etc.

Relevé du propriétaire

Pour plus de commodité, noter le numéro de modèle et le numéro de série (ces numéros se trouvent au dos de l'appareil) dans les cases ci-dessous. Prière de mentionner ces numéros quand on contacte un distributeur Aiwa en cas de difficulté.

N° de modèle	N° de série (N° de lot)
CX-NV8000	
SX-ANV8000	

AVERTISSEMENT

POUR REDUIRE LE RISQUE DE COURT-CIRCUIT OU DE CHOC ELECTRIQUE, NE PAS EXPOSER CET APPAREIL A LA PLUIE OU A L'HUMIDITE.



CAUTION

RISK OF ELECTRIC SHOCK
DO NOT OPEN



"CAUTION: TO REDUCE THE RISK OF ELECTRIC SHOCK, DO NOT REMOVE COVER (OR BACK). NO USER-SERVICEABLE PARTS INSIDE. REFER SERVICING TO QUALIFIED SERVICE PERSONNEL."

TABLE DES MATIERES

PREPARATIONS

PRECAUTIONS	2
CONNEXIONS	3
AVANT L'UTILISATION	5
REGLAGE DE L'HORLOGE	5

SON

REGLAGE DU SON	6
SYSTEME SURROUND AVANT	7

RECEPTION RADIO

ACCORD MANUEL	7
MEMORISATION DE STATIONS	8

LECTURE DE DISQUES COMPACTS

OPERATIONS DE BASE	9
--------------------------	---

LECTURE DE CASSETTES

OPERATIONS DE BASE	11
LECTURE CONTINUE	12

ENREGISTREMENT

ENREGISTREMENT DE BASE	13
DUPLICATION MANUELLE D'UNE CASSETTE	14
DUPLICATION DE LA TOTALITE D'UNE CASSETTE ...	14
ENREGISTREMENT AVEC MONTAGE ET CALCUL DU TEMPS	15
ENREGISTREMENT AVEC MONTAGE PROGRAMME	16

KARAOKE

MIXAGE AVEC MICROPHONE	17
PROGRAMMES DE KARAOKE	18

MINUTERIE

REGLAGE DE LA MINUTERIE	19
REGLAGE DE LA MINUTERIE D'ARRET	20

AUTRES CONNEXIONS

CONNEXION D'UN APPAREIL OPTIONNEL	20
ECOUTE DE SOURCES EXTERNES	21

GENERALITES

SOINS ET ENTRETIEN	21
SPECIFICATIONS	22
EN CAS DE PROBLEME	23
NOMENCLATURE	23

PRINCIPE DES ENCEINTES ACOUSTIQUES AIWA A DIFFUSION SONORE FRONTALE SUR 180°

Signification des symboles graphiques:



L'éclair portant une flèche, situé dans un triangle équilatéral, sert à prévenir l'utilisateur de la présence d'une "tension dangereuse" non isolée à l'intérieur de l'appareil, assez élevée pour constituer un risque d'électrocution.



Le point d'exclamation situé dans un triangle équilatéral sert à prévenir l'utilisateur de la présence d'instructions importantes concernant l'utilisation et l'entretien (ou la réparation) de l'appareil dans le manuel qui accompagne ce dernier.

PRECAUTIONS

Lire le mode d'emploi attentivement et complètement avant d'utiliser l'appareil. Garder le mode d'emploi pour toute référence future. Tous les avertissements et toutes les précautions donnés dans le mode d'emploi et sur l'appareil doivent être suivis à la lettre, aussi bien que les suggestions de sécurité suivantes.

Installation

- 1 **Eau et humidité** — Ne pas utiliser cet appareil près d'eau, comme près d'une baignoire, d'une cuvette, d'une piscine ou autre.
- 2 **Chaleur** — Ne pas utiliser cet appareil près de sources de chaleur, comme sorties de chauffage, poêles ou autres appareils qui dégagent de la chaleur.
L'appareil ne doit pas être soumis à des températures inférieures à 5°C ou supérieures à 35°C.
- 3 **Surface d'utilisation** — Poser l'appareil sur une surface plate et lisse.
- 4 **Ventilation** — L'appareil doit être positionné avec un espace suffisant autour afin d'assurer une dissipation adéquate de la chaleur. Laisser un espace de 10 cm derrière et dessus l'appareil, et un espace de 5 cm de chaque côté.
 - Ne pas mettre l'appareil sur un lit, un tapis ou sur une surface similaire qui pourrait obstruer les orifices de ventilation.
 - Ne pas mettre l'appareil dans une bibliothèque, un coffret ou un meuble complètement fermé où l'aération serait insuffisante.
- 5 **Entrée d'objets et de liquide** — Faire attention à ce que aucun corps étranger ou liquide ne pénètre dans l'appareil pas les orifices de ventilation.
- 6 **Chariot et support** — Si l'appareil est posé ou monté sur un support ou un chariot, déplacer ce dernier avec précaution.
Les arrêts brusques, une force excessive et les surfaces inégales peuvent provoquer le renversement ou le chute de l'appareil et du chariot.
- 7 **Condensation** — De la condensation peut se former sur la lentille du capteur du lecteur de disques compacts quand:
 - l'appareil est déplacé d'un endroit froid à un endroit chaud.
 - le chauffage vient juste d'être mis en marche.
 - l'appareil est utilisé dans une pièce très humide.
 - l'appareil est refroidi par un climatiseur.
 S'il y a de la condensation à l'intérieur de cet appareil, il risque de ne pas fonctionner correctement. Le cas échéant, laisser l'appareil pendant quelques heures, puis essayer de nouveau de l'utiliser.
- 8 **Fixation à un mur ou un plafond** — L'appareil ne doit pas être fixé à un mur ou un plafond, à moins que ce ne soit spécifié dans le mode d'emploi.



3 Cordon d'alimentation secteur

- Pour débrancher le cordon d'alimentation secteur, le tirer par sa fiche. Ne pas tirer sur le cordon proprement dit.
- Ne jamais tenir la fiche d'alimentation secteur avec les mains mouillées, cela pourrait se traduire par un court-circuit ou un choc électrique.
- Les cordons d'alimentation doivent être installés de manière à ne pas être pliés, pincés ou piétinés. Faire particulièrement attention au cordon allant de l'appareil à la prise d'alimentation.
- Eviter de surcharger les prises d'alimentation et les rallonges au-delà de leur capacité, cela pourrait se traduire par un court-circuit ou un choc électrique.

4 Rallonge

— Afin d'éviter tout choc électrique, ne pas utiliser une fiche polarisée d'alimentation secteur avec une rallonge ou une prise si cette fiche ne peut pas être insérée complètement de manière que ses lames ne soient pas exposées.

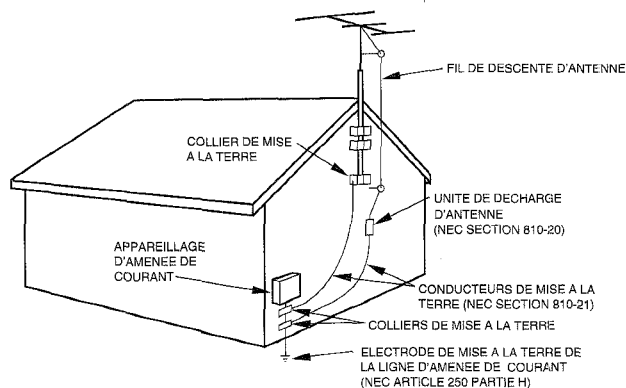
5 Périodes de non-utilisation

— Débrancher le cordon d'alimentation secteur de la prise électrique si l'appareil ne doit pas être utilisé pendant plusieurs mois ou plus. Quand le cordon est branché, un courant de faible intensité continue de circuler dans l'appareil même si l'alimentation est coupée.

Antenne extérieure

- 1 **Lignes d'amenée de courant** — Quand on branche une antenne extérieure, s'assurer qu'elle est située à l'écart de toute ligne d'amenée de courant.
- 2 **Mise de l'antenne extérieure à la terre** — Afin d'assurer une protection contre toute impulsion de tension et contre toute accumulation d'électricité statique, s'assurer que l'antenne est correctement mise à la terre. L'article 810 du code national d'électricité (NEC), ANSI/NFPA 70, fournit des informations au sujet de la mise à la terre du mât, de la structure de support et du conducteur arrivant à l'unité de décharge d'antenne et au sujet des dimensions des conducteurs de mise à la terre, de la connexion aux électrodes de mise à la terre et des exigences concernant ces électrodes.

Mise à la terre d'une antenne selon le code national d'électricité (NEC)



NEC: CODE NATIONAL D'ELECTRICITE

Entretien

Nettoyer l'appareil uniquement comme recommandé dans le mode d'emploi.

Domage nécessitant une réparation

S'adresser à un technicien qualifié pour faire réparer l'appareil si:

- Le cordon ou la fiche d'alimentation secteur de l'appareil est endommagé
 - Tout corps étranger ou liquide est entré dans l'appareil
 - L'appareil a été exposé à la pluie ou à de l'eau
 - L'appareil ne semble pas fonctionner normalement
 - L'appareil présente un changement notable de performances
 - L'appareil a subi un choc, ou son coffret a été endommagé
- N'ESSAYEZ PAS DE REPARER L'APPAREIL VOUS-MEME.

Energie électrique

- 1 **Alimentations électriques** — Brancher cet appareil uniquement aux alimentations électriques spécifiées dans le mode d'emploi, et comme indiqué sur l'appareil.
- 2 **Polarisation** — Comme mesure de sécurité, certains appareils sont munis de fiches polarisées d'alimentation secteur qui ne peuvent être introduites que dans un sens dans une prise de courant. S'il est difficile ou impossible d'insérer la fiche d'alimentation secteur dans une prise, retourner la fiche et essayer de nouveau. Si l'on ne peut toujours pas insérer la fiche dans la prise, s'adresser à un électricien qualifié pour faire réparer ou changer la prise. Afin de ne pas annuler la sécurité de la fiche polarisée, ne pas insérer cette fiche en force dans une prise.

CONNEXIONS

Avant de brancher le cordon secteur

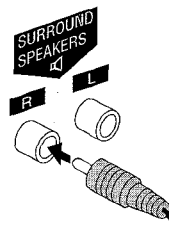
La tension nominale d'alimentation secteur de l'appareil, indiquée au dos de ce dernier, est de 120V. S'assurer que cette tension nominale correspond à celle du secteur local.

IMPORTANT:

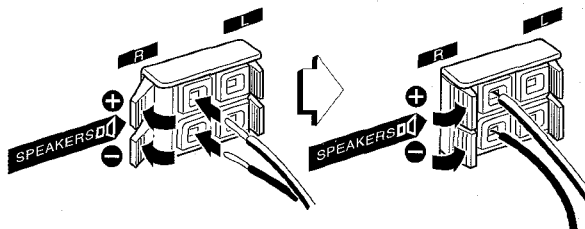
- Commencer par brancher les enceintes, les antennes et tout appareil optionnel. Brancher le cordon secteur en dernier.
- L'enceinte avant portant la marque R au dos est l'enceinte droite, et celle portant la marque L est l'enceinte gauche.

1 Connecter l'enceinte droite à l'appareil principal.

- ① Connecter le cordon de haut-parleur surround à la borne SURROUND SPEAKERS R.



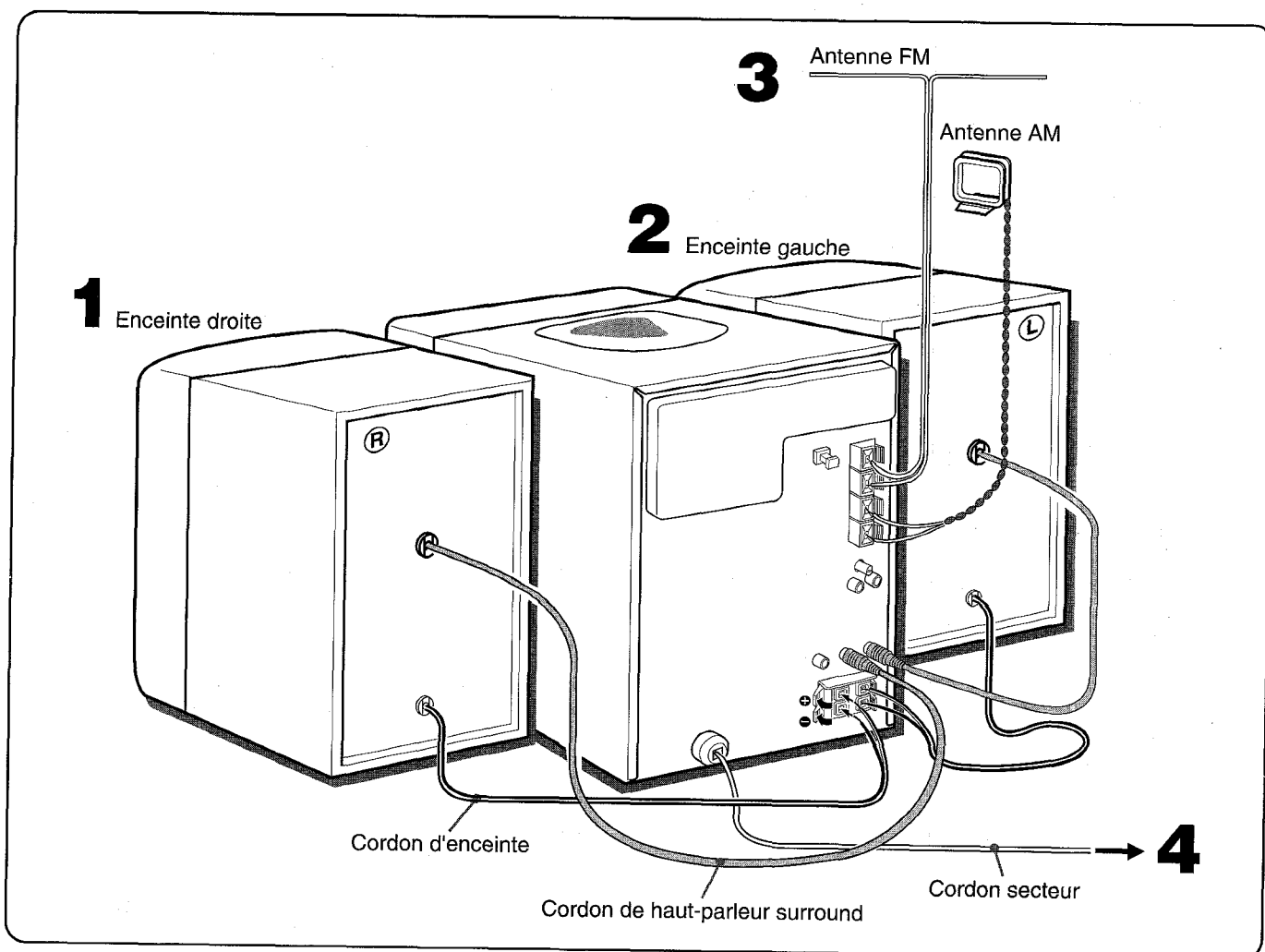
- ② Connecter le cordon d'enceinte aux bornes SPEAKERS R.



Le cordon d'enceinte rayé de blanc doit être connecté à la borne + et le cordon noir à la borne -.

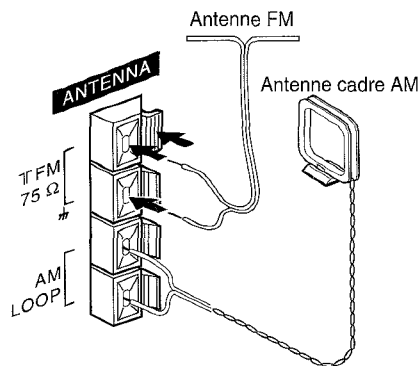
2 Connecter l'enceinte gauche à l'appareil principal.

Connecter le cordon de haut-parleur surround à la borne SURROUND SPEAKERS L et le cordon d'enceinte aux bornes SPEAKERS L de la même manière qu'à l'étape 1.



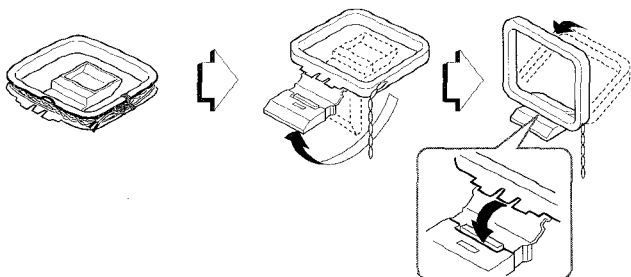
3 Connecter les antennes fournies.

Connecter l'antenne FM aux bornes FM 75 Ω et l'antenne AM aux bornes AM LOOP.



4 Brancher le cordon secteur à une prise de courant.

Pour poser l'antenne AM sur une surface
Fixer la griffe dans la rainure.



Pour positionner les antennes
Antenne FM intérieure:

Déployer cette antenne horizontalement selon la forme d'un T et fixer ses extrémités à un mur.

Antenne cadre AM

Orienter cette antenne de manière à obtenir la meilleure réception possible.

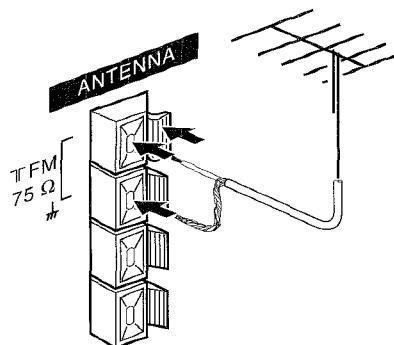
REMARQUE

- Faire attention à connecter les cordons d'enceinte correctement. Des connexions incorrectes peuvent provoquer des courts-circuits dans les bornes SPEAKERS.
- Ne pas laisser d'objets produisant un champ magnétique près des enceintes.
- Ne pas mettre l'antenne FM près d'objets métalliques ou de tringles à rideaux.
- Ne pas mettre l'antenne AM près d'un appareil optionnel, de la chaîne stéréo proprement dite, du cordon secteur ou des cordons d'enceinte; elle pourrait capter des parasites.
- Ne pas dérouler le fil de l'antenne AM.

CONNEXION D'UNE ANTENNE EXTERIEURE

Pour obtenir une meilleure réception FM, il est recommandé d'utiliser une antenne extérieure.

Connecter l'antenne extérieure aux bornes FM 75 Ω.

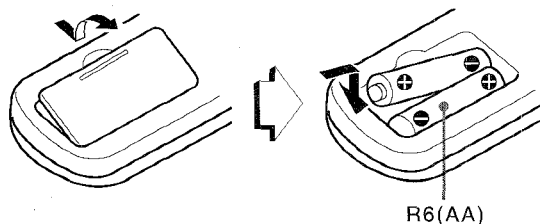


Pour connecter un appareil optionnel → page 20.

TELECOMMANDE

Mise en place des piles

Enlever le couvercle des piles du dos de la télécommande et mettre deux piles R6 (taille AA) en place.



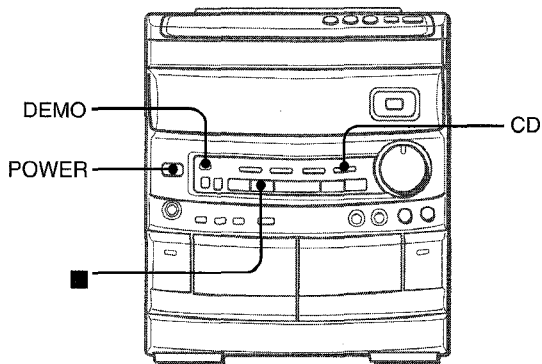
Quand remplacer les piles

La distance maximale de fonctionnement de la télécommande entre cette dernière et le capteur situé sur l'appareil principal doit être d'environ cinq mètres. Lorsque cette distance diminue, remplacer les piles par des neuves.

REMARQUE

- Si la télécommande ne doit pas être utilisée pendant longtemps, enlever les piles pour éviter tout risque de fuite d'électrolyte.
- La télécommande risque de ne pas fonctionner correctement quand:
 - l'espace entre la télécommande et le capteur situé sur la fenêtre d'affichage est exposé à une lumière intense, comme le soleil.
 - d'autres télécommandes (téléviseur, etc.) sont utilisées à proximité.

AVANT L'UTILISATION



Pour mettre l'appareil sous tension

Appuyer sur une des touches de fonction (TAPE, TUNER, VIDEO/AUX, CD).

La lecture du disque ou de la cassette en place commence, ou la station écoutée en dernier est reçue (fonction de lecture directe).

On peut aussi appuyer sur la touche POWER.

Le compartiment à disques peut s'ouvrir et se fermer pour réinitialisation de l'appareil.

Mode DEMO (Démonstration)

Quand on branche le cordon secteur pour la première fois, la fenêtre d'affichage montre les fonctions de l'appareil. Lors de la mise sous tension, l'affichage de démonstration est remplacé par l'affichage d'opération. Quand l'alimentation est coupée, le mode DEMO est rétabli.

Pour annuler le mode DEMO

Appuyer sur la touche DEMO. Pour rétablir le mode, appuyer de nouveau sur cette touche.

Guides par éclairage

Chaque fois qu'on branche le cordon secteur ou qu'on appuie sur une des touches de fonction, les touches correspondant à cette opération s'allument ou clignotent.

Exemple: Quand on branche le cordon secteur, la touche SET clignote pour guider dans le réglage de l'heure courante.

Fenêtres clignotantes

Les fenêtres situées au sommet de l'appareil et sur les platines du magnétocassette s'allument ou clignotent quand l'appareil est mis sous tension.

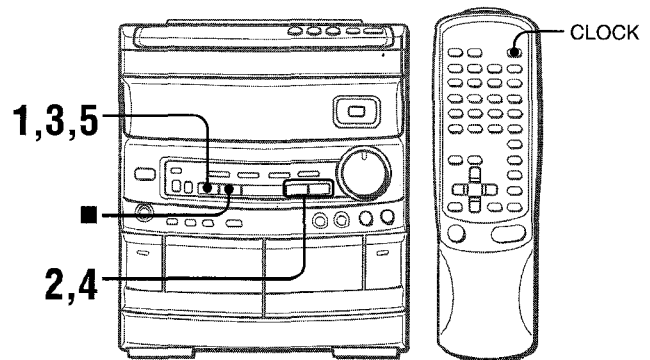
Pour éteindre l'éclairage de la fenêtre supérieure, appuyer sur la touche ■ tout en appuyant sur la touche CD. Pour rallumer l'éclairage, répéter cette opération.

Pour éteindre l'éclairage des platines du magnétocassette, appuyer sur la touche ■ tout en appuyant sur la touche TAPE. Pour rallumer l'éclairage, répéter cette opération.

Après l'utilisation

Appuyer sur la touche POWER pour couper l'alimentation. L'affichage passe à l'horloge.

REGLAGE DE L'HORLOGE



Quand on branche le cordon secteur pour la première fois, la touche SET clignote.

L'alimentation étant coupée, régler l'heure comme décrit ci-dessous.

1 Appuyer sur la touche SET.

Les heures clignotent.



2 Appuyer sur la touche DOWN ou UP pour spécifier les heures.

3 Appuyer sur la touche SET pour régler les heures.

Les heures arrêtent de clignoter et les minutes se mettent à clignoter.

4 Appuyer sur la touche DOWN ou UP pour spécifier les minutes.

5 Appuyer sur la touche SET pour spécifier les minutes et terminer le réglage.

Les minutes arrêtent de clignoter sur l'affichage et l'horloge démarre à 00 seconde.

Pour corriger l'heure courante

Appuyer sur la touche POWER pour mettre l'appareil hors tension. Appuyer sur la touche SET et effectuer les étapes 1 à 5 ci-dessus.

Pour afficher l'heure courante

Appuyer sur la touche CLOCK de la télécommande. L'horloge est affichée pendant quatre secondes.

Toutefois, l'heure ne peut pas être affichée pendant l'enregistrement.

Pour passer au format de 24 heures

Appuyer sur la touche CLOCK de la télécommande puis appuyer sur la touche ■ dans les quatre secondes qui suivent.

Pour revenir au format de 12 heures, procéder de la même manière.

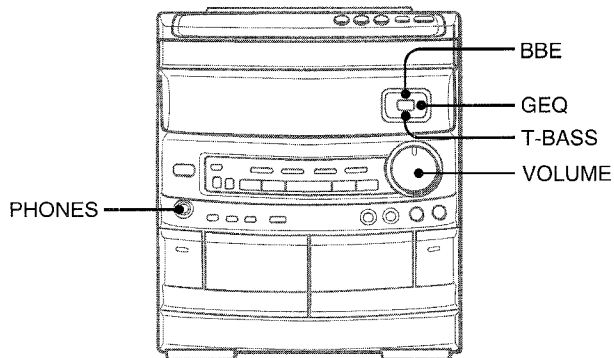
Si l'affichage de l'horloge clignote quand l'alimentation est coupée

Ceci est dû à une interruption d'alimentation. L'heure courante doit être réglée de nouveau.

Si l'alimentation est interrompue pendant plus d'environ 24 heures, tous les réglages mémorisés après l'achat doivent être faits de nouveau.

REGLAGE DU SON

Les enceintes acoustiques sont munies d'un système frontal à diffusion sonore sur 180° par des haut-parleurs unidirectionnels et de haut-parleurs surround intégrés inclinés de 45° vers l'intérieur. On peut ainsi obtenir un effet stéréo optimal non seulement directement en face des enceintes mais aussi de part et d'autre de l'axe de leur point milieu.



COMMANDE DU VOLUME

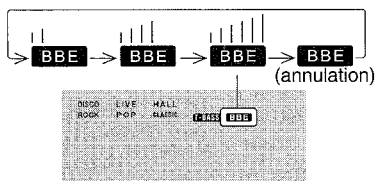
Tourner la commande **VOLUME** de l'appareil principal, ou appuyer sur les touches **VOLUME** de la télécommande.

SYSTEME BBE

Le système BBE augmente la clarté du son aux fréquences élevées. Il enrichit aussi la fonction KARAOKE pour donner un son clair et agréable de la voix.

Appuyer sur la touche BBE.

A chaque pression sur cette touche, le niveau change. Sélectionner un des trois niveaux ou la position de repos, comme on préfère.

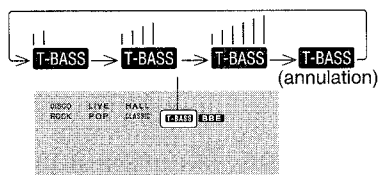


SYSTEME SUPER T-BASS

Le système T-BASS améliore le réalisme du son aux basses fréquences.

Appuyer sur la touche T-BASS.

A chaque pression sur cette touche, le niveau change. Sélectionner un des trois niveaux ou la position de repos, comme on préfère.



REMARQUE

Le son aux basses fréquences risque d'être déformé quand le système T-BASS est utilisé pour un disque ou une cassette dont le son aux basses fréquences est accentué d'origine. Dans ce cas, annuler le système T-BASS.

EGALISEUR GRAPHIQUE

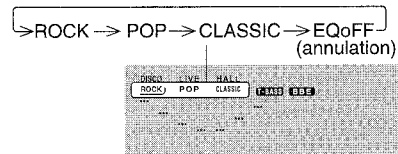
Cet appareil possède les trois courbes d'égalisation différentes suivantes.

ROCK: Son puissant accentuant les aigus et les graves

POP: Présence accrue des parties vocales et de la gamme moyenne

CLASSIC: Son enrichi par des graves puissants et des aigus fins

Appuyer sur la touche GEQ à plusieurs reprises jusqu'à ce que la courbe d'égalisation souhaitée soit affichée.



REGLAGE DU SON PENDANT L'ENREGISTREMENT

On peut faire varier librement le volume de sortie et la tonalité (BBE excepté) des enceintes ou du casque sans affecter le niveau de l'enregistrement.

Enregistrement avec BBE

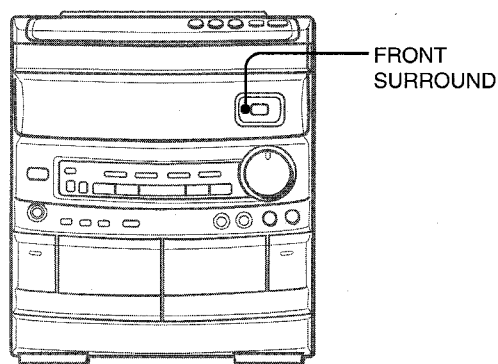
La source souhaitée peut être enregistrée avec la fonction BBE pour améliorer la clarté du son aux fréquences élevées. Lors de la lecture d'une cassette enregistrée avec BBE, il est conseillé de mettre le système BBE hors service.

Utilisation d'un casque

Brancher un casque muni d'une fiche stéréo standard (6,3 mm ø) à la prise PHONES.

Aucun son ne sort par les enceintes quand un casque est branché.

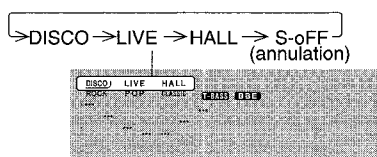
SYSTEME SURROUND AVANT



Le système surround avant est muni d'un processeur numérique de signaux (DSP) pour améliorer l'effet de son surround simulé et augmenter ainsi le plaisir d'écoute. Quand on sélectionne le mode FRONT SURROUND, on peut obtenir la présence sonore d'un discothèque (DISCO), d'une représentation musicale en direct (LIVE) ou d'une salle de concert (HALL).

Les haut-parleurs surround avant sont logés dans le coffret des enceintes acoustiques et sont orientés vers l'intérieur pour donner un efficace effet de son surround simulé sans avoir à connecter des enceintes surround optionnelles.

Appuyer sur la touche FRONT SURROUND à plusieurs reprises jusqu'à ce que le mode FRONT SURROUND souhaité soit affiché.



Les courbes d'égalisation sont sélectionnées automatiquement en fonction des modes FRONT SURROUND et peuvent aussi être sélectionnées ou annulées comme on préfère.

Quand la source musicale est monophonique

Sélectionner LIVE pour obtenir un effet stéréo simulé. Quand DISCO ou HALL est sélectionné, le son n'est pas audible par les haut-parleurs surround.

Pour annuler le mode sélectionné

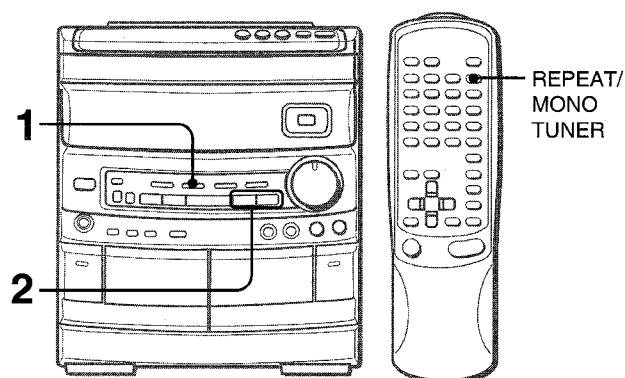
Appuyer de nouveau sur la touche sélectionnée. S-OFF est affiché.

Quand le mode FRONT SURROUND est annulé, aucun son n'est audible par les haut-parleurs surround.

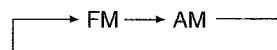
REMARQUE

Quand un microphone connecté est utilisé, le système FRONT SURROUND est automatiquement annulé.

ACCORD MANUEL



1 Appuyer sur la touche TUNER/BAND à plusieurs reprises pour sélectionner la gamme souhaitée.



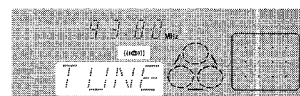
Si l'alimentation est coupée, la station écoutée en dernier sera reçue (fonction de lecture directe).

2 Appuyer sur la touche ◀◀ DOWN ou ▶▶ UP pour sélectionner une station.

A chaque pression sur la touche, la fréquence change.

Quand une station est reçue, "TUNE" est affiché pendant deux secondes.

Pendant la réception FM stéréo, ((Ⓜ)) est affiché.



Pour rechercher une station rapidement (Recherche automatique)

Tenir la touche ◀◀ DOWN ou ▶▶ UP enfoncée jusqu'à ce que le tuner démarre la recherche d'une station. Après l'accord sur une station, la recherche s'arrête.

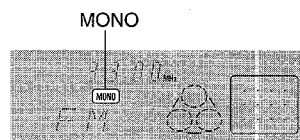
Pour arrêter la recherche automatique manuellement, appuyer sur la touche ◀◀ DOWN ou ▶▶ UP.

- La recherche automatique risque de ne pas s'arrêter sur les stations présentant des signaux très faibles.

Quand une émission FM stéréo présente des parasites

Appuyer sur la touche REPEAT/MONO TUNER de la télécommande de manière que "MONO" apparaisse sur l'affichage.

Les parasites sont réduits, mais la réception est monophonique



Pour rétablir la réception stéréophonique, appuyer de nouveau sur la touche pour faire disparaître MONO.

Pour changer l'intervalle d'accord AM

Le réglage par défaut de l'intervalle d'accord AM est de 10 kHz/pas. Si on utilise cet appareil dans un endroit où le système d'allocation de fréquences est de 9 kHz/pas, changer l'intervalle d'accord.

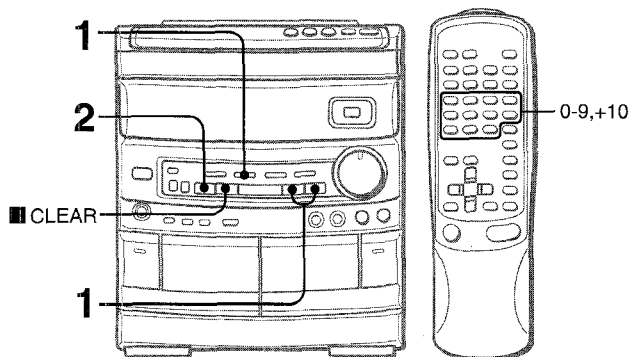
Appuyer sur la touche POWER tout en appuyant sur la touche TUNER/BAND.

Pour rétablir l'intervalle initial, procéder de la même manière.

REMARQUE

Après le changement de l'intervalle d'accord AM, toutes les stations mémorisées (voir "MEMORISATION DE STATIONS") sont effacées. Il faut mémoriser de nouveau ces stations.

MEMORISATION DE STATIONS

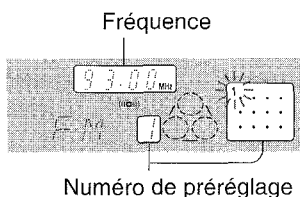


L'appareil peut mémoriser un total de 32 stations. Quand une station est mémorisée, un numéro de préréglage lui est affecté. Pour accorder l'appareil directement sur une station mémorisée, utiliser le numéro de préréglage correspondant.

1 Appuyer sur la touche TUNER/BAND pour sélectionner une gamme, puis appuyer sur la touche ◀◀ DOWN ou ▶▶ UP pour sélectionner une station.

2 Appuyer sur la touche ■ SET pour mémoriser la station.

Un numéro de préréglage est affecté à une station à partir de 1 dans l'ordre consécutif pour chaque gamme.



3 Répéter les étapes 1 et 2.

Si 32 stations sont déjà mémorisées pour toutes les gammes, la station suivante ne sera pas mémorisée.

ACCORD SUR UNE STATION MEMORISEE

Utiliser la télécommande pour sélectionner le numéro de préréglage directement.

1 Appuyer sur la touche TUNER/BAND pour sélectionner une gamme.

2 A l'aide des touches numériques, sélectionner un numéro de préréglage.

Exemple:

Pour sélectionner le numéro de préréglage 25, appuyer sur les touches +10, +10 et 5.

Pour sélectionner le numéro de préréglage 10, appuyer sur les touches +10 et 0.

Sélection d'un numéro de préréglage sur l'appareil principal

Appuyer sur la touche TUNER/BAND pour sélectionner une gamme. Ensuite, appuyer sur la touche ◀▶ DIRECTION/PRESET à plusieurs reprises.

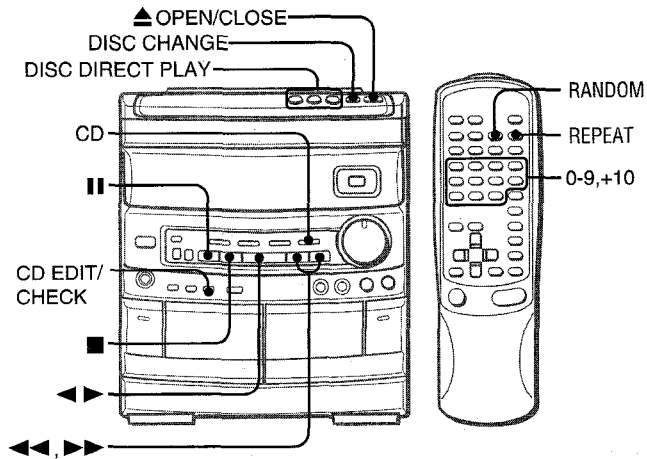
A chaque pression sur la touche, le numéro de préréglage suivant ou précédent le plus proche est sélectionné.

Suppression d'une station mémorisée

Sélectionner le numéro de préréglage de la station à supprimer. Ensuite, appuyer sur la touche ■ CLEAR puis appuyer sur la touche ■ SET dans les quatre secondes qui suivent.

Les numéros de préréglage de toutes les autres stations suivantes de la gamme sont aussi diminués d'une unité.

OPERATIONS DE BASE

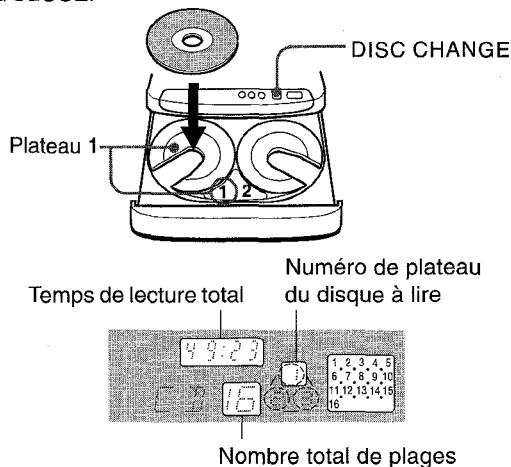


MISE EN PLACE DE DISQUES

Appuyer sur la touche CD, puis appuyer sur la touche ▲ OPEN/CLOSE pour ouvrir le compartiment à disques. Mettre le(s) disque(s) en place avec l'étiquette en haut.

Pour lire un ou deux disques, mettre les disques sur les plateaux 1 et 2.

Pour lire trois disques, appuyer sur la touche DISC CHANGE pour faire tourner les plateaux après avoir mis deux disques en place. Mettre en place le troisième disque sur le plateau 3. Fermer le compartiment à disques en appuyant sur la touche ▲ OPEN/CLOSE.

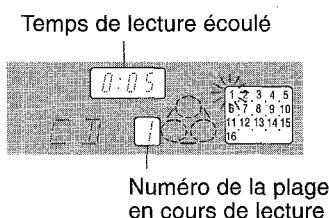


LECTURE DE DISQUES

Mettre des disques en place.

Pour lire tous les disques situés dans le compartiment, appuyer sur la touche ◀▶.

La lecture commence par le disque du plateau 1.



Pour lire un disque seulement, appuyer sur une des touches DISC DIRECT PLAY.

Le disque sélectionné est lu une fois.

Pour arrêter la lecture, appuyer sur la touche ■.

Pour mettre la lecture en pause, appuyer sur la touche II.

Pour reprendre la lecture, appuyer de nouveau sur cette touche.

Pour rechercher un point particulier pendant la lecture, tenir la touche ◀◀ ou ▶▶ enfoncée jusqu'à ce que le point souhaité soit atteint.

Pour passer au début d'une plage pendant la lecture, appuyer sur la touche ◀◀ ou ▶▶ à plusieurs reprises.

Pour enlever des disques, appuyer sur la touche ▲ OPEN/CLOSE.

Pour démarrer la lecture quand l'alimentation est coupée (fonction de lecture directe)

Appuyer sur la touche CD. L'appareil est mis sous tension et la lecture du (des) disque(s) en place démarre.

Pour changer des disques avant la lecture, appuyer sur la touche ▲ OPEN/CLOSE pour ouvrir le compartiment à disques.

Pour vérifier le temps restant

Appuyer sur la touche CD EDIT/CHECK pendant la lecture. Le temps restant jusqu'à ce que toutes les plages soient lues est affiché. Pour rétablir l'affichage du temps de lecture, appuyer de nouveau sur la touche.

Sélection d'une plage avec la télécommande

1 Appuyer sur une des touches DISC DIRECT PLAY pour sélectionner un disque.

2 A l'aide des touches numériques et de la touche +10, sélectionner une plage.

Exemple:

Pour sélectionner la vingt-cinquième plage, appuyer sur les touches +10, +10 et 5.

Pour sélectionner la dixième plage, appuyer sur les touches +10 et 0.

La lecture démarre à la plage sélectionnée et continue jusqu'à la fin du disque.

Changement de disques pendant la lecture

Pendant qu'un disque est en lecture, on peut remplacer les autres disques sans interrompre la lecture.

1 Appuyer sur la touche DISC CHANGE.

2 Enlever les disques et mettre d'autres disques en place.

3 Appuyer sur la touche ▲ OPEN/CLOSE pour fermer le compartiment à disques.

REMARQUE

- Pour mettre un disque de 8 cm en place, le poser dans le renforcement circulaire du plateau.
- Ne pas mettre plus d'un disque compact sur un plateau.
- Ne pas incliner l'appareil avec des disques en place. Cela pourrait provoquer des pannes.

LECTURE ALEATOIRE

Toutes les plages du disque sélectionné ou de tous les disques peuvent être lues dans un ordre aléatoire.

Appuyer sur la touche RANDOM de la télécommande.

RANDOM s'allume sur l'affichage.

Pour annuler la lecture aléatoire, appuyer de nouveau sur la touche.

REMARQUE

- Même si on appuie sur la touche ◀◀, la plage précédemment lue ne peut pas être sautée. L'appareil revient seulement au début de la plage courante.
- La sélection directe des plages avec les touches numériques est impossible.

LECTURE REPETEE

Un seul disque ou tous les disques peuvent être lus à plusieurs reprises.

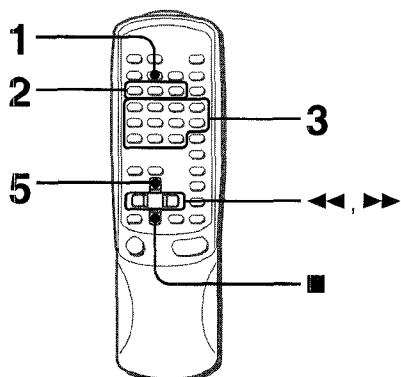
Appuyer sur la touche REPEAT de la télécommande.

REPEAT s'allume sur l'affichage.

Pour annuler la lecture répétée, appuyer de nouveau sur la touche.

LECTURE PROGRAMMEE

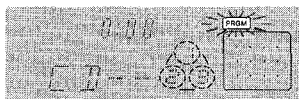
On peut programmer un maximum de 30 plages de n'importe lequel des disques en place.



Utiliser la télécommande.

1 Appuyer deux fois sur la touche PRGM dans le mode arrêt.

L'indicateur PRGM clignote sur l'affichage.



- Quand on appuie une fois sur la touche PRGM à l'étape 1, l'appareil passe au PROGRAMME DE KARAOKE (voir page 18).

2 Appuyer sur une des touches DISC DIRECT PLAY pour sélectionner un disque.

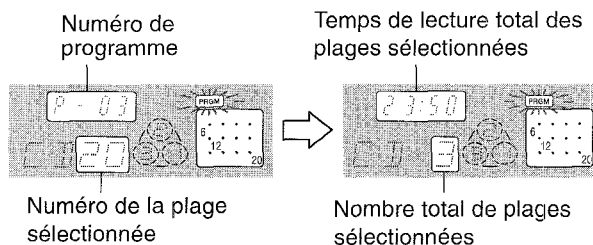
Le disque sélectionné est indiqué en rouge sur l'affichage. Passer à l'étape suivante quand le plateau arrête de tourner.

3 A l'aide des touches numériques et de la touche +10, programmer une plage.

Exemple:

Pour sélectionner la vingt-cinquième plage, appuyer sur les touches +10, +10 et 5.

Pour sélectionner la dixième plage, appuyer sur les touches +10 et 0



4 Répéter les étapes 2 et 3 pour programmer d'autres plages.

5 Appuyer sur la touche ◀▶ pour démarrer la lecture.

Pour contrôler le programme

A chaque pression sur la touche ◀◀ ou ▶▶ en mode arrêt, un numéro de disque, un numéro de plage et un numéro de programme sont affichés.

Pour effacer le programme

Appuyer sur la touche ■ CLEAR dans le mode arrêt.

Pour ajouter des plages au programme

Avant la lecture, répéter les étapes 2 et 3. La plage sera programmée à la suite de la dernière plage.

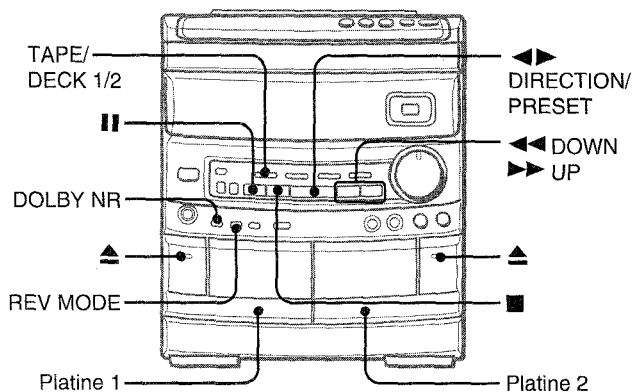
Pour changer les plages programmées

Effacer le programme puis répéter toutes les étapes.

REMARQUE

Pendant la lecture programmée, les touches numériques, CD EDIT/CHECK, DISC CHANGE, RANDOM et DISC DIRECT PLAY ne fonctionnent pas.

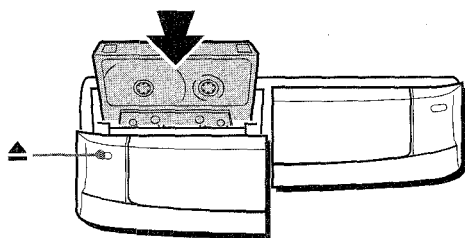
OPERATIONS DE BASE



MISE EN PLACE DE CASSETTES

- Avec la platine 1, les cassettes sont toujours lues sur les deux faces.
Avec la platine 2, on peut choisir un mode d'inversion pour lire une face ou les deux.
- Pour la lecture, utiliser des cassettes de type I (normales), de type II (high/CrO₂) ou de type IV (métal).

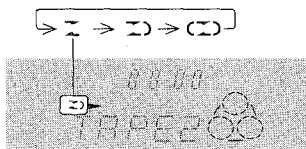
Appuyer sur la touche TAPE puis appuyer sur la marque ▲ EJECT pour ouvrir le porte-cassette.



Insérer une cassette avec le côté exposé du ruban magnétique en bas. Pousser le porte-cassette pour le fermer.

Pour sélectionner un mode d'inversion (platine 2 seulement)

A chaque pression sur la touche REV MODE, le mode d'inversion change.

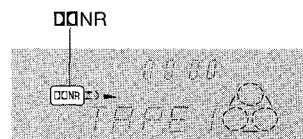


- Pour lire une seule face, allumer 1.
- Pour lire de la face avant à la face arrière une seule fois, allumer 2.
- Pour lire les deux faces à plusieurs reprises, allumer 3.
- Quand il y a des cassettes dans les deux platines, 4 sur l'affichage signifie "Lecture continue".

LECTURE D'UNE CASSETTE

Mettre une cassette en place.

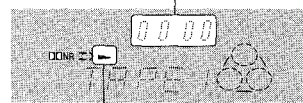
- 1 Appuyer sur la touche DOLBY NR pour mettre le réducteur de bruit en ou hors service, en fonction de la cassette à lire.



Pour les cassettes enregistrées avec réducteur de bruit DOLBY, allumer DOLBY NR.
Pour les cassettes enregistrées sans réducteur de bruit DOLBY, éteindre DOLBY NR.

- 2 Appuyer sur la touche ◀▶ pour démarrer la lecture.

Le compteur indique la durée de défilement de la bande.



Face lue de la cassette

- ▶: La face avant (orientée vers l'avant) est lue.
- ◀: La face arrière (orientée vers l'arrière) est lue.

Quand il y a des cassettes en place dans les deux platines

Appuyer d'abord sur la touche TAPE pour sélectionner une platine.

Le numéro de la platine sélectionnée est affiché.

Pour arrêter la lecture, appuyer sur la touche ■.

Pour mettre la lecture en pause (platine 2 seulement), appuyer sur la touche II. Pour reprendre la lecture, appuyer de nouveau sur cette touche.

Pour changer de face lue, appuyer sur la touche ◀▶ DIRECTION/PRESET pendant la lecture ou le mode pause.

Pour obtenir une avance rapide ou un rebobinage, appuyer sur la touche ◀◀ ou ▶▶ dans le mode arrêt. Ensuite, appuyer sur la touche ■ pour arrêter le défilement.

Pour démarrer la lecture quand l'alimentation est coupée (fonction de lecture directe)

Appuyer sur la touche TAPE. L'appareil est mis sous tension et la lecture de la cassette en place commence.

Pour mettre le compteur à 0000

Appuyer sur la touche ■ CLEAR dans le mode arrêt.

Le compteur est aussi mis à 0000 quand le porte-cassette est ouvert.

SENSEUR DE MUSIQUE

S'il y a un blanc de quatre secondes ou plus entre les plages, on peut retrouver facilement le début de la plage courante ou suivante pendant la lecture.

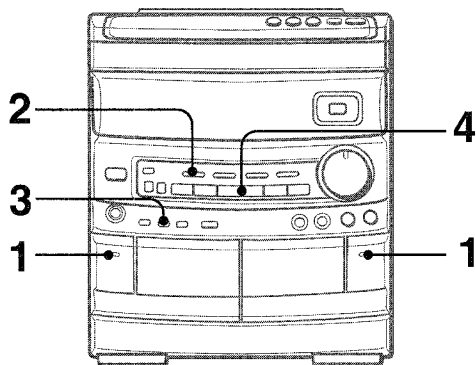
Quand l'indicateur ▶ de la touche ◀▶ clignote, appuyer sur la touche ▶▶ pour passer à la plage suivante ou sur la touche ◀◀ pour passer au début de la plage courante.

Quand l'indicateur ◀ de la touche ◀▶ clignote, appuyer sur la touche ◀◀ pour passer à la plage suivante ou sur la touche ▶▶ pour passer au début de la plage courante.

La fonction recherche utilise un senseur de musique qui risque de ne pas pouvoir détecter les plages sur les bandes avec:

- des blancs de moins de quatre secondes entre les plages.
- des blancs présentant des parasites.
- de longs passages à bas niveau.
- des enregistrements à bas niveau.

LECTURE CONTINUE



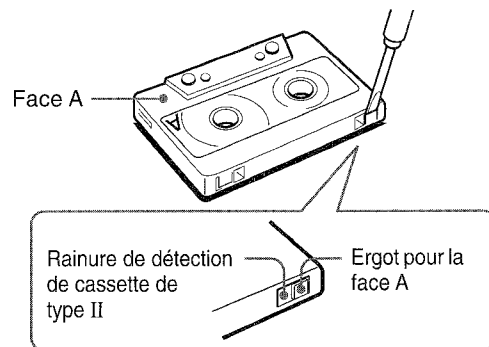
Une fois que la lecture sur une platine est terminée, la lecture de la cassette de l'autre platine démarre sans interruption.

- 1 Insérer des cassettes dans les platines 1 et 2.
- 2 Appuyer sur la touche TAPE/DECK 1/2 pour sélectionner la platine à utiliser en premier.
- 3 Appuyer sur la touche REV MODE pour sélectionner \curvearrowright .
- 4 Appuyer sur la touche $\blacktriangleleft \blacktriangleright$ pour démarrer la lecture.

La lecture continue jusqu'à ce que la touche \blacksquare soit actionnée.

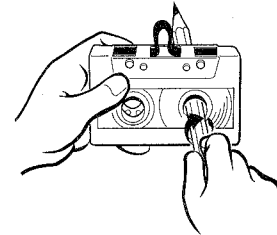
Au sujet des cassettes

- Pour éviter un effacement accidentel, utiliser un tournevis ou tout autre objet effilé pour casser les ergots en plastique de la cassette après l'enregistrement.



Pour enregistrer de nouveau sur une cassette, recouvrir les cavités des ergots avec du ruban adhésif ou autre. (Sur les cassettes de type II, faire attention à ne pas recouvrir la rainure de détection de cassette de type II.)

- Le ruban magnétique des cassettes de 120 minutes ou plus est extrêmement fin et se déforme et s'endommage facilement. Ces cassettes ne sont pas recommandées.
- Tendre le ruban magnétique avec un crayon ou un objet similaire avant d'utiliser une cassette. Un ruban magnétique détendu peut se rompre ou s'emmêler dans le mécanisme.

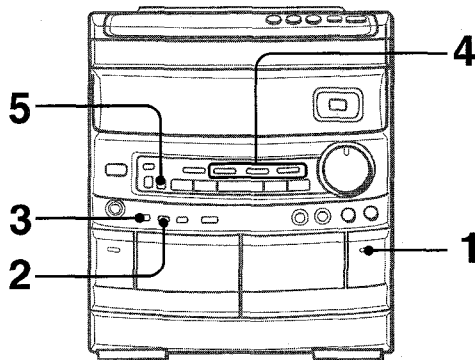


Système réducteur de bruit DOLBY

Le système de réduction de bruit Dolby réduit le souffle de la bande. Pour des performances optimum lors de la lecture d'une cassette enregistrée avec le système réducteur de bruit DOLBY, mettre le système réducteur de bruit DOLBY en service.

ENREGISTREMENT DE BASE

Cette partie explique comment enregistrer à partir du tuner, du lecteur de disques compacts ou d'un appareil externe.

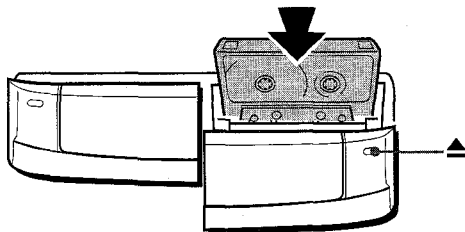


Préparation

- Bobiner la cassette jusqu'à l'endroit où on veut démarrer l'enregistrement.
- Pour l'enregistrement, utiliser des cassettes de type I (normales) ou de type II (high/CrO₂).

1 Insérer la cassette à enregistrer dans la platine 2.

Insérer la cassette avec la face à enregistrer en premier orientée vers l'extérieur de l'appareil et avec le côté exposé du ruban magnétique en bas.



2 Appuyer sur la touche REV MODE pour sélectionner le mode d'inversion.

Pour enregistrer sur une face seulement, allumer Σ .
 Pour enregistrer sur les deux faces, allumer Σ ou Σ .

3 Appuyer sur la touche DOLBY NR pour mettre le réducteur de bruit Dolby en ou hors service.

Pour enregistrer avec réducteur de bruit DOLBY, allumer \square NR.
 Pour enregistrer sans réducteur de bruit DOLBY, éteindre \square NR.

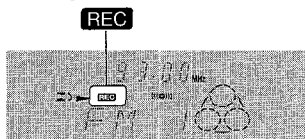
4 Appuyer sur une des touches de fonction et préparer la source à enregistrer.

Pour enregistrer à partir d'un disque compact, appuyer sur la touche CD et mettre le(s) disque(s) en place.

Pour enregistrer une émission de radio, appuyer sur la touche TUNER et accorder sur une station.

Pour enregistrer à partir de la source connectée, appuyer sur la touche VIDEO/AUX et mettre la source en marche.

5 Appuyer sur la touche ● REC/REC MUTE pour démarrer l'enregistrement.



Quand la fonction sélectionnée est CD, la lecture et l'enregistrement démarrent simultanément.

Pour arrêter l'enregistrement, appuyer sur la touche ■.

Pour mettre l'enregistrement en pause, appuyer sur la touche ■■. (Applicable quand la source est TUNER ou VIDEO/AUX.)

Pour reprendre l'enregistrement, appuyer de nouveau sur cette touche.

Pour démarrer l'enregistrement avec la télécommande

Appuyer d'abord sur la touche ●/O REC/REC MUTE, puis appuyer sur la touche ◀▶ dans les deux secondes qui suivent.

INSERTION D'ESPACES BLANCS

L'insertion d'espaces blancs de quatre secondes permet l'utilisation de la fonction senseur de musique. (Applicable quand la source est TUNER ou VIDEO/AUX.)

1 Appuyer sur la touche ● REC/REC MUTE pendant l'enregistrement ou pendant le mode pause d'enregistrement.

REC clignote sur l'affichage pendant quatre secondes et le ruban magnétique défile sans enregistrement. Au bout de quatre secondes, la platine passe au mode pause d'enregistrement.

2 Appuyer sur la touche ■■ pour reprendre l'enregistrement.

Pour insérer un espace blanc de moins de quatre secondes, appuyer de nouveau sur la touche ● REC/REC MUTE tandis que REC clignote.

Pour insérer des espaces blancs de plus de quatre secondes, appuyer de nouveau sur la touche ● REC/REC MUTE une fois que la platine passe au mode pause d'enregistrement. A chaque pression sur cette touche, un espace blanc de quatre secondes est ajouté.

Pour effacer un enregistrement

S'assurer qu'aucun microphone n'est branché à cet appareil.

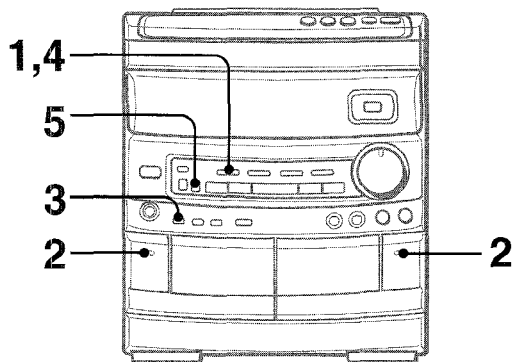
1 Insérer la cassette à effacer dans la platine 2 et appuyer sur la touche TAPE/DECK 1/2 pour afficher "TAPE 2".

2 Bobiner la cassette jusqu'à l'endroit où on veut démarrer l'effacement.

3 Régler le mode d'inversion en appuyant sur la touche REV MODE.

4 Appuyer sur la touche ● REC/REC MUTE pour démarrer l'effacement.

DUPLICATION MANUELLE D'UNE CASSETTE



Préparation

- Bobiner la cassette jusqu'à l'endroit où on veut démarrer l'enregistrement.
- Le mode d'inversion est automatiquement réglé sur Σ .
Remarque que l'enregistrement ne sera fait que sur une face de la cassette.

1 Appuyer sur la touche TAPE.

2 Insérer la cassette originale dans la platine 1 et la cassette à enregistrer dans la platine 2.

Insérer chaque cassette avec la face à lire ou à enregistrer en premier orientée vers l'extérieur de l'appareil.

3 Appuyer sur la touche DOLBY NR pour mettre le réducteur de bruit Dolby hors service.

\square NR disparaît de l'affichage.

4 Appuyer sur la touche TAPE/DECK 1/2 pour sélectionner la platine 1.

TAPE 1 est affiché.

5 Appuyer sur la touche \bullet REC/REC MUTE pour démarrer l'enregistrement.

La lecture et l'enregistrement démarrent simultanément.

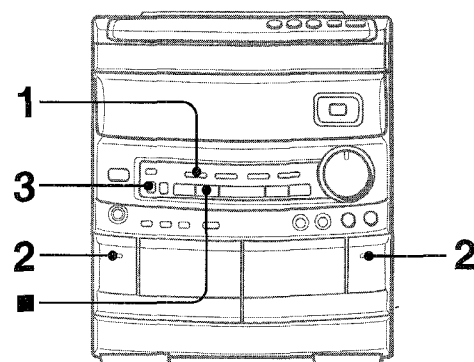
Pour arrêter la duplication

Appuyer sur la touche \blacksquare .

Sélection du réducteur de bruit Dolby lors de la lecture de la cassette dupliquée

Appuyer sur la touche DOLBY NR pour mettre le réducteur de bruit Dolby en ou hors service, en fonction de la cassette originale.

DUPLICATION DE LA TOTALITE D'UNE CASSETTE



Cette fonction permet de faire des copies exactes des deux faces de la cassette originale. Les faces arrière des deux cassettes démarrent en même temps dès que la cassette la plus longue a été inversée.

REMARQUE

- La duplication ne démarre pas à un point situé au milieu d'une face.
- Le mode d'inversion est automatiquement réglé sur Σ .
- Le réducteur de bruit Dolby n'affecte pas l'enregistrement.

1 Appuyer sur la touche TAPE.

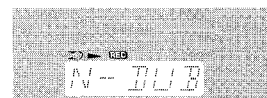
2 Insérer la cassette originale dans la platine 1 et la cassette à enregistrer dans la platine 2.

Insérer chaque cassette avec la face à lire ou à enregistrer en premier orientée vers l'extérieur de l'appareil.

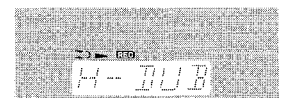
3 Appuyer une ou deux fois sur la touche SYNC DUB pour démarrer l'enregistrement.

- ① Pour enregistrer à vitesse normale, appuyer une fois sur la touche de manière que N-DUB soit affiché.
- ② Pour enregistrer à grande vitesse, appuyer deux fois sur la touche de manière que H-DUB soit affiché.

①



②



Les cassettes sont rebobinées jusqu'au début de leurs faces avant, puis l'enregistrement démarre.

Pour arrêter la duplication

Appuyer sur la touche \blacksquare .

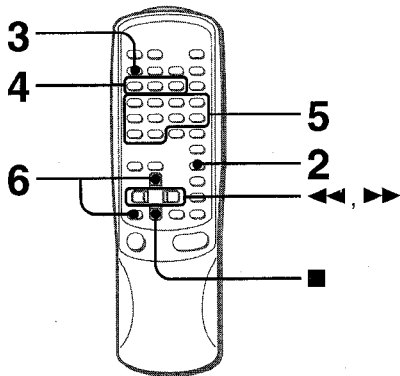
Sélection du réducteur de bruit Dolby lors de la lecture de la cassette dupliquée

Appuyer sur la touche DOLBY NR pour mettre le réducteur de bruit Dolby en ou hors service, en fonction de la cassette originale.

REMARQUE

- Si l'ergot de sécurité d'une face ou l'autre de la cassette est absent, l'enregistrement ne démarre pas.
- Si l'amorce de la cassette à enregistrer est plus longue que celle de la cassette originale, l'enregistrement sur la face arrière risque de s'arrêter en cours. Le cas échéant, dupliquer chaque face manuellement comme décrit à la partie "DUPLICATION MANUELLE D'UNE CASSETTE".

ENREGISTREMENT AVEC MONTAGE ET CALCUL DU TEMPS



La fonction montage et calcul du temps permet d'enregistrer à partir de disques compacts sans se préoccuper de la durée de la cassette et des durées des plages. Quand on met un disque compact en place, l'appareil calcule automatiquement les durées des plages. Si nécessaire, l'ordre des plages est changé de manière qu'aucune plage ne soit tronquée.
(AI: Intelligence Artificielle)

REMARQUE

L'enregistrement avec montage et calcul du temps ne commencera pas à un point situé au milieu d'une face. La cassette doit être enregistrée à partir du début d'une de ses faces.

Des étapes 3 à 6, utiliser la télécommande.

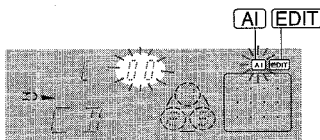
1 Insérer la cassette dans la platine 2 puis appuyer sur la touche DOLBY NR pour mettre le réducteur de bruit Dolby en ou hors service.

Insérer la cassette avec la face à enregistrer en premier orientée vers l'extérieur de l'appareil.

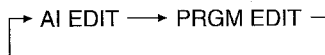
2 Appuyer sur la touche CD et mettre le(s) disque(s) en place.

3 Appuyer une fois sur la touche EDIT/CHECK.

"EDIT" s'allume et "AI" clignote sur l'affichage.



A chaque pression sur la touche, l'affichage change comme suit.



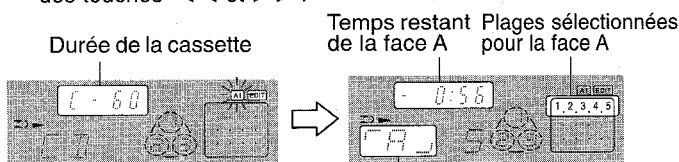
4 Appuyer sur une des touches DISC DIRECT PLAY pour sélectionner un disque.

5 A l'aide des touches numériques, spécifier la durée de la cassette.

On peut spécifier une durée de 10 à 99 minutes.
Exemple: Quand on utilise une cassette de 60 minutes, appuyer sur les touches 6 et 0.

En quelques secondes, le micro-ordinateur détermine quelles plages seront enregistrées sur chaque face de la cassette.

- La durée de la cassette peut aussi être spécifiée à l'aide des touches ◀▶ et ▶▶.



Face A de la cassette (face avant)

6 Appuyer d'abord sur la touche ●/○ REC/REC MUTE puis appuyer sur la touche ◀▶ dans les deux secondes qui suivent pour démarrer l'enregistrement.

La cassette est rebobinée jusqu'au début de la face avant, l'amorce est lue pendant dix secondes, puis l'enregistrement démarre. Une fois que l'enregistrement sur la face avant (face A) est terminé, l'enregistrement sur la face arrière (face B) démarre.

Pour arrêter l'enregistrement

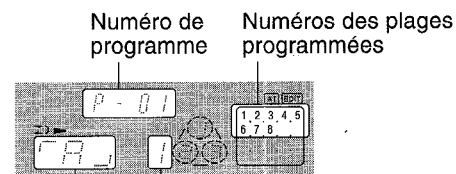
Appuyer sur la touche ■. L'enregistrement de la cassette et la lecture du disque compact s'arrêtent simultanément.

Pour effacer le programme du montage

Appuyer deux fois sur la touche ■ CLEAR de manière que "EDIT" disparaisse de l'affichage.

Pour contrôler l'ordre des numéros des plages programmées

Avant l'enregistrement, appuyer sur la touche EDIT/CHECK pour sélectionner la face A ou B, puis appuyer sur la touche ◀▶ ou ▶▶ à plusieurs reprises.



Face de la cassette Numéro de page

Pour ajouter des plages d'autres disques au programme du montage

S'il reste du temps sur la cassette après l'étape 5, on peut ajouter des plages des autres disques situés dans le compartiment.

- 1 Appuyer sur la touche EDIT/CHECK pour sélectionner la face A ou B.
- 2 Appuyer sur une des touches DISC DIRECT PLAY pour sélectionner un disque.
- 3 Sélectionner les plages à l'aide des touches numériques. [AI] s'éteint et [PRGM] se met à clignoter sur l'affichage. Une plage dont la durée de lecture est supérieure au temps restant ne peut pas être programmée.
- 4 Pour ajouter d'autres plages, répéter les étapes 2 et 3.

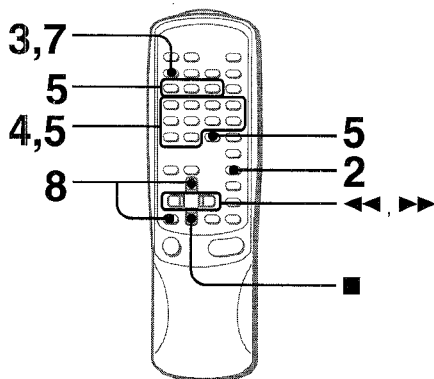
Durée des cassettes et temps du montage

La durée d'une cassette est généralement supérieure à celle indiquée sur l'étiquette. Cet appareil peut programmer des plages pour utiliser le temps en excès. Quand la durée totale d'enregistrement est légèrement supérieure à la durée spécifiée pour la cassette après le montage, l'affichage indique le temps en excès (sans signe moins) au lieu du temps restant (avec le signe moins).

REMARQUE

- Si l'ergot de sécurité d'une face ou l'autre de la cassette est absent, l'enregistrement ne se fait pas.
- La fonction montage et calcul du temps ne peut pas être utilisée avec les disques contenant 31 plages ou plus.

ENREGISTREMENT AVEC MONTAGE PROGRAMME



La fonction montage programmé permet d'enregistrer à partir de disques compacts tout en contrôlant le temps restant sur chaque face de la cassette au fur et à mesure de la programmation des plages.

REMARQUE

L'enregistrement avec montage programmé ne démarrera pas à un point situé au milieu d'une face. La cassette doit être enregistrée à partir du début d'une de ses faces.

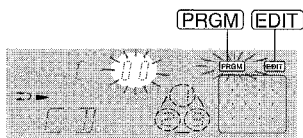
Des étapes 3 à 8, utiliser la télécommande.

1 Insérer la cassette dans la platine 2 puis appuyer sur la touche DOLBY NR pour mettre le réducteur de bruit Dolby en ou hors service.

Insérer la cassette avec la face à enregistrer en premier orientée vers l'extérieur de l'appareil.

2 Appuyer sur la touche CD et mettre le(s) disque(s) en place.

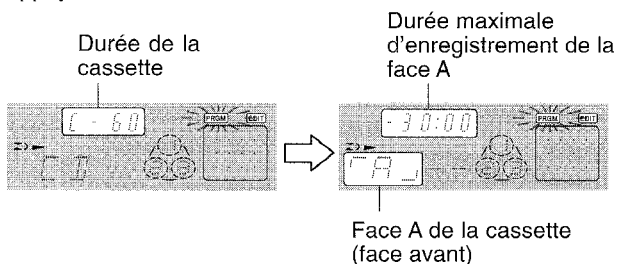
3 Appuyer deux fois sur la touche EDIT/CHECK.
"EDIT" s'allume et "PRGM" clignote sur l'affichage.



4 A l'aide des touches numériques, spécifier la durée de la cassette.

On peut spécifier une durée de 10 à 99 minutes.

Exemple: Quand on utilise une cassette de 60 minutes, appuyer sur les touches 6 et 0.

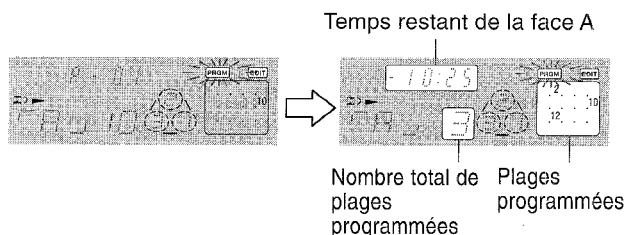


5 Appuyer sur une des touches DISC DIRECT PLAY pour sélectionner un disque, puis programmer une plage à l'aide des touches numériques.

Exemple: pour sélectionner la dixième plage du disque 2, appuyer sur la touche DISC DIRECT PLAY 2 puis sur les touches numériques +10 et 0.

6 Répéter l'étape 5 pour le reste des plages de la face A.

Une plage dont la durée de lecture est supérieure au temps restant ne peut pas être programmée.



7 Appuyer sur la touche EDIT/CHECK pour sélectionner la face B, puis programmer les plages pour cette face.

Après s'être assuré que B est affiché, répéter l'étape 5.

Face B de la cassette (face arrière)



8 Appuyer sur la touche ●/O REC/REC MUTE puis appuyer sur la touche ◀▶ dans les deux secondes qui suivent pour démarrer l'enregistrement.

La cassette est rebobinée jusqu'au début de la face avant, l'amorce est lue pendant dix secondes, puis l'enregistrement démarre. Une fois que l'enregistrement sur la face avant (A) est terminé, l'enregistrement sur la face arrière (B) démarre.

Pour arrêter l'enregistrement

Appuyer sur la touche ■. L'enregistrement de la cassette et la lecture du disque compact s'arrêtent simultanément.

Pour contrôler l'ordre des numéros des plages programmées

Avant l'enregistrement, appuyer sur la touche EDIT/CHECK pour sélectionner la face A ou B, puis appuyer sur la touche ◀◀ ou ▶▶ à plusieurs reprises.

Numéro de programme



Numéro de plage Numéros des plages programmées

Pour changer le programme de chaque face

Appuyer sur la touche EDIT/CHECK pour sélectionner la face A ou B, puis appuyer sur la touche ■ CLEAR pour effacer le programme de la face sélectionnée. Ensuite, reprogrammer des plages.

Pour effacer le programme du montage

Appuyer deux fois sur la touche ■ de manière que "EDIT" disparaisse de l'affichage.

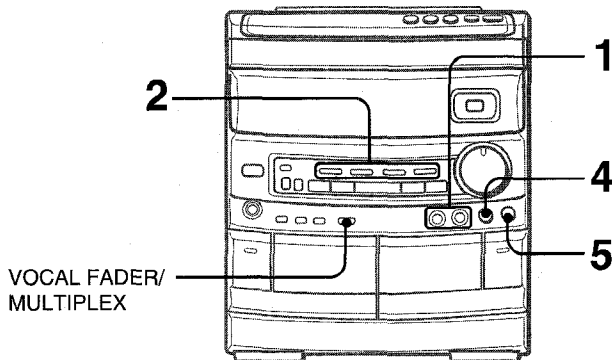
REMARQUE

Si l'ergot de sécurité d'une face ou l'autre de la cassette est absent, l'enregistrement ne se fait pas.

ENREGISTREMENT

F

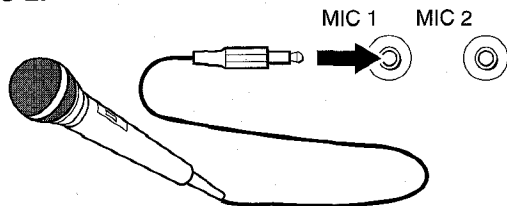
MIXAGE AVEC MICROPHONE



Pour chanter avec accompagnement par une source musicale, on peut brancher deux microphones (pas fournis) à cet appareil. Utiliser des microphones à mini-fiches (3,5 mm ø).

Avant de brancher un microphone
Régler la commande MIC MIXING sur MIN.

1 Brancher les microphones aux prises MIC 1 et MIC 2.



2 Appuyer sur une des touches de fonction pour sélectionner la source à mixer, et mettre cette source en marche.

3 Régler le volume et la tonalité de la source.

4 Régler le volume de microphone avec la commande MIC MIXING.

Le volume des deux microphones est réglé en même temps.

5 Régler l'écho avec la commande DIGITAL ECHO.

Pour enregistrer le son de microphone mixé avec la source sonore

Suivre la procédure d'enregistrement à partir de la source (voir page 13).

La touche SYNC DUB ne peut pas être utilisée pour l'enregistrement de mixage.

Quand on n'utilise pas les microphones

Régler les commandes MIC MIXING et DIGITAL ECHO sur MIN et débrancher les microphones des prises MIC.

REMARQUE

- Quand un microphone connecté est utilisé, le système FRONT SURROUND est automatiquement mis hors service.
- Si un microphone est placé trop près d'une enceinte, un bruit de hurlement risque de se produire. Le cas échéant, éloigner le microphone de l'enceinte ou baisser le niveau sonore à l'aide de la commande MIC MIXING.
- Si le son d'un microphone est extrêmement fort, il peut être déformé. Le cas échéant, tourner la commande MIC MIXING vers MIN.

Microphones recommandés

L'utilisation de microphones de type unidirectionnel est recommandée pour éviter le hurlement. Pour plus de détails, contacter le distributeur Aiwa local.

FONCTIONS VOCAL FADER/MULTIPLEX

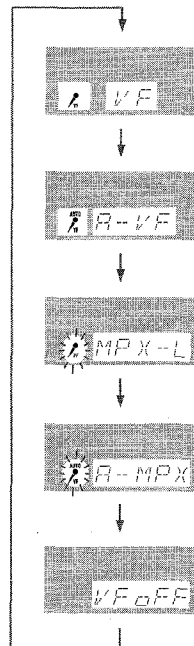
Cet appareil permet l'emploi de disques ou de cassettes comme sources Karaoke.

Appuyer sur la touche VOCAL FADER/MULTIPLEX à plusieurs reprises pour sélectionner la fonction Vocal Fader ou Multiplex.

Utiliser la fonction Vocal Fader pour des disques ou cassettes ordinaires.

Utiliser la fonction Multiplex pour des disques ou cassettes multi audio.

A chaque pression sur la touche VOCAL FADER/MULTIPLEX, une de ces fonctions est sélectionnée de manière cyclique.



Vocal Fader

La partie vocale devient plus douce que l'accompagnement.

Auto Vocal Fader *1

La partie vocale devient plus douce uniquement pendant qu'il y a une entrée audio par un microphone.

Multiplex *2

Le son du canal gauche (ou droit) est audible par les deux enceintes et le son du canal droit (ou gauche) est atténué.

Auto Multiplex *1

Le son du canal gauche (ou droit) est audible par les deux enceintes et le son du canal droit (ou gauche) est atténué uniquement pendant qu'il y a une entrée audio par un microphone.

Annulation

***1 Pour changer le réglage du retard de la fonction Auto Vocal Fader ou Auto Multiplex**

Quand la fonction Auto Vocal Fader ou Auto Multiplex est sélectionnée, "A-VF" ou "A-MPX" est affiché pendant trois secondes puis l'affichage passe au nom de la fonction sélectionnée. Une fois que le nom de la fonction sélectionnée est affiché, tenir la touche VOCAL FADER/MULTIPLEX enfoncée jusqu'à ce que le réglage du retard souhaité, SLOW ou FAST, soit sélectionné.

SLOW

L'atténuation de la partie vocale initiale repasse au niveau normal s'il n'y a pas d'entrée audio par un microphone dans les deux secondes.

FAST

L'atténuation de la partie vocale initiale repasse au niveau normal s'il n'y a pas d'entrée audio par un microphone dans la demi-seconde.

Quand l'alimentation est coupée, le réglage des fonctions Auto Vocal Fader et Auto Multiplex repasse à SLOW.

***2 Pour changer le canal atténué de la fonction Multiplex**

Quand Multiplex est sélectionné, "MPX-L" est affiché pendant trois secondes puis l'affichage passe au nom de la fonction sélectionnée. Une fois que le nom de la fonction sélectionnée est affiché, tenir la touche VOCAL FADER/MULTIPLEX enfoncée jusqu'à ce que le canal à sortir par les deux enceintes, MPX-L ou MPX-R, soit sélectionné.

MPX-L

Le son du canal gauche est audible par les deux enceintes et le son du canal droit est atténué.

MPX-R

Le son du canal droit est audible par les deux enceintes et le son du canal gauche est atténué.

Quand l'alimentation est coupée, le réglage de la fonction Multiplex repasse à MPX-L.

Quand on utilise la télécommande

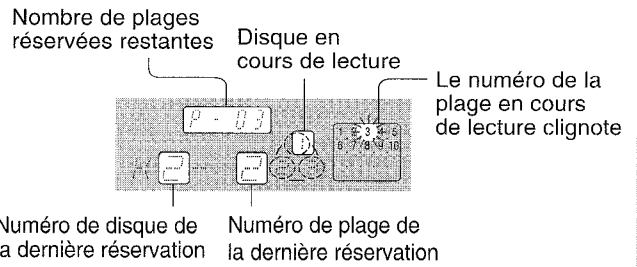
Appuyer sur la touche KARAOKE.

REMARQUE

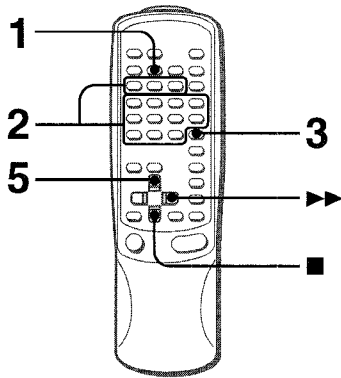
- Les fonctions VOCAL FADER risquent de ne pas fonctionner correctement avec les disques compacts ou cassettes suivants.
 - Disques ou cassettes à enregistrement mono
 - Disques ou cassettes enregistrés avec de forts échos
 - Disques ou cassettes avec la partie vocale enregistrée sur la droite ou la gauche du spectre sonore
- Quand la fonction VOCAL FADER est en service, le son est sorti en monophonie.

5 Appuyer sur la touche ◀▶ pour démarrer la lecture.

Une fois qu'une page est lue, elle est effacée du programme. On peut réserver une autre page à la place de celle effacée.



PROGRAMMES DE KARAOKE



Avant ou pendant la lecture de disque compact, on peut réserver jusqu'à quinze pages à lire après la page courante. Chaque réservation est effacée quand sa lecture est terminée.

Utiliser la télécommande.

1 Appuyer une fois sur la touche PRGM.



2 Appuyer sur une des touches DISC DIRECT PLAY pour sélectionner un disque, puis sélectionner une page à l'aide des touches numériques.

3 Appuyer sur la touche KARAOKE ENTER.



Numéro de disque réservé Numéro de page réservée

4 Répéter les étapes 2 et 3 pour réserver d'autres pages.

Pour ajouter une réservation pendant la lecture

Répéter les étapes 2 et 3.

Pour contrôler les pages réservées

Appuyer sur la touche EDIT/CHECK à plusieurs reprises. A chaque pression sur cette touche, un numéro de disque et un numéro de page sont affichés dans l'ordre réservé.

Pour arrêter la lecture

Appuyer sur la touche ■. Pour redémarrer la lecture, appuyer sur la touche ◀▶.

Pour sauter une page

Appuyer sur la touche ▶▶. La page sautée est effacée du programme.

Pour effacer toutes les réservations

Appuyer sur la touche ▶▶ à plusieurs reprises jusqu'à ce que "K-" soit affiché.

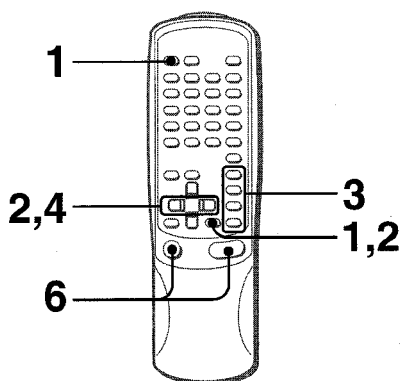


Pour annuler les programmes de Karaoke, appuyer une fois de plus sur cette touche. L'affichage repasse à celui de la lecture de disque compact.

REMARQUE

- Si le numéro de page réservé n'existe pas sur le disque sélectionné, l'appareil arrête la lecture et l'affichage clignote. Dans ce cas, appuyer sur la touche ▶▶ pour sauter l'erreur. Ensuite, appuyer sur la touche ◀▶ pour démarrer la lecture à la page réservée suivante.
- Si on appuie plusieurs fois sur la touche PRGM à l'étape 1, PRGM est affiché et l'appareil passe au mode lecture programmée de disque compact (voir page 10). Pour annuler la lecture programmée, appuyer sur la touche ■ CLEAR.

REGLAGE DE LA MINUTERIE



Avec la minuterie intégrée, l'appareil peut être mis sous tension chaque jour à l'heure spécifiée.

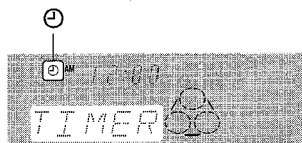
Préparation

S'assurer que l'horloge est réglée correctement. (Voir page 5.)

Utiliser la télécommande.

1 Appuyer une fois sur la touche TIMER de la télécommande pour afficher ☉, puis appuyer sur la touche **|| SET dans les quatre secondes qui suivent.**

☉ est affiché et les heures clignotent.



REMARQUE

Si on n'appuie pas sur la touche **|| SET** dans les quatre secondes, une autre opération peut démarrer.

2 Spécifier les heures en appuyant sur la touche **||◀◀ DOWN ou **▶▶|| UP**, puis appuyer sur la touche **|| SET** pour les régler. Procéder de la même manière pour spécifier et régler les minutes.**



Une fois que l'heure est spécifiée, TIMER et un nom de source clignotent alternativement sur l'affichage pendant quatre secondes.

3 Pendant ces quatre secondes, appuyer sur une des touches de fonction pour sélectionner une source.

"TIMER" et le nom de la source sélectionnée clignotent alternativement pendant quatre secondes. A ce moment, la touche de fonction sélectionnée ne s'allume pas.

- Si cette étape n'est pas terminée en quatre secondes, recommencer à partir de l'étape 1.
- Si on appuie sur la touche TUNER, la gamme ne peut pas être sélectionnée à cette étape.

4 Dans les quatre secondes qui suivent, appuyer sur la touche **||◀◀ DOWN ou **▶▶|| UP** pour sélectionner la durée de la mise sous tension par la minuterie.**



La durée de la mise sous tension par la minuterie peut être réglée entre 10 et 240 minutes par pas de 10 minutes.

- Si cette étape n'est pas terminée en quatre secondes, recommencer à partir de l'étape 1.

5 Préparer la source.

Pour écouter un disque compact, mettre le disque à lire en premier en place dans le plateau 1.

Pour écouter une cassette, la mettre en place dans la platine 1 ou 2.

Pour écouter la radio, l'accorder sur une station.

6 Après avoir réglé le volume et la tonalité, appuyer sur la touche POWER pour mettre l'appareil hors tension.

☉ reste sur l'affichage une fois que l'alimentation est coupée (mode attente de minuterie).



Quand l'heure de la mise sous tension par la minuterie est atteinte, l'appareil est mis sous tension et la lecture commence sur la source sélectionnée.

Pour contrôler l'heure et la source spécifiées

Appuyer sur la touche TIMER de la télécommande. L'heure de la mise sous tension par la minuterie et le nom de la source sélectionnée sont affichés pendant quatre secondes. La durée de la mise sous tension par la minuterie n'est pas affichée.

ENREGISTREMENT COMMANDE PAR LA MINUTERIE

L'enregistrement commandé par la minuterie est applicable uniquement aux sources TUNER et VIDEO/AUX (avec une minuterie externe).

Appuyer deux fois sur la touche TIMER de la télécommande de manière que ☉ apparaisse sur l'affichage, puis appuyer sur la touche **|| SET dans les quatre secondes qui suivent.** Répéter les étapes indiquées ci-dessus à partir de l'étape 2 et, après l'étape 5, insérer la cassette à enregistrer dans la platine 2.

Pour annuler provisoirement le mode attente de minuterie

Appuyer sur la touche TIMER de la télécommande de manière que ☉ ou ☉ disparaisse de l'affichage.

Pour rétablir le mode attente de minuterie, appuyer de nouveau sur la touche pour afficher ☉ ou ☉.

Utilisation de l'appareil une fois que la minuterie est réglée

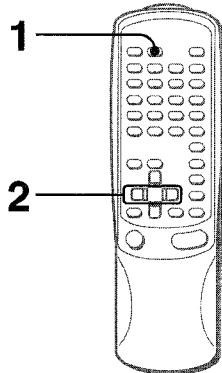
On peut utiliser l'appareil normalement après avoir réglé la minuterie.

Avant de couper l'alimentation, répéter l'étape 5 pour préparer la source, et régler le volume et la tonalité.

REMARQUE

- La lecture et l'enregistrement commandés par la minuterie ne se feront pas si l'appareil n'est pas mis hors tension.
- L'appareil connecté ne peut pas être mis sous et hors tension par la minuterie intégrée de cet appareil. Utiliser une minuterie externe.

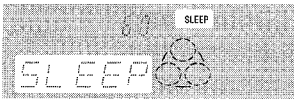
REGLAGE DE LA MINUTERIE D'ARRÊT



La minuterie d'arrêt permet de mettre l'appareil hors tension automatiquement au bout d'un temps spécifié.

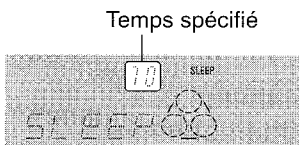
Utiliser la télécommande.

1 Appuyer sur la touche SLEEP.



2 Dans les quatre secondes qui suivent, appuyer sur la touche ◀ ou ▶ pour spécifier le temps jusqu'à la mise hors tension.

A chaque pression sur la touche, le temps change entre 10 et 240 minutes par pas de 10 minutes.



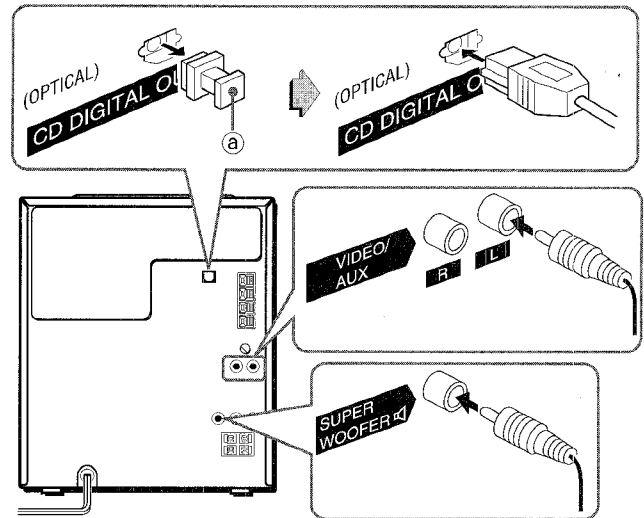
Pour contrôler le temps restant jusqu'à la mise hors tension

Appuyer une fois sur la touche SLEEP. Le temps restant est affiché pendant quatre secondes.

Pour annuler la minuterie d'arrêt

Appuyer deux fois sur la touche SLEEP de manière que "SLEEP" disparaisse de l'affichage.

CONNEXION D'UN APPAREIL OPTIONNEL



Pour plus de détails, se reporter au mode d'emploi de l'appareil connecté.

- Les cordons de raccordement ne sont pas fournis. Se procurer les cordons nécessaires.
- Pour les appareils optionnels disponibles, consulter le distributeur Aiwa local.

PRISES VIDEO/AUX

Cet appareil peut recevoir des signaux sonores analogiques par ces prises.

Utiliser un câble à fiches phono RCA pour connecter un appareil audio (tourne-disque, lecteur de disque laser, magnéto, etc.).

Connecter la fiche rouge à la prise R et la fiche blanche à la prise L.

Pour connecter un tourne-disque

Utiliser un tourne-disque Aiwa muni d'un amplificateur à égaliseur intégré.

PRISE CD DIGITAL OUT (OPTICAL)

Cet appareil peut sortir les signaux sonores numériques de disque compact par cette prise. Utiliser un câble optique pour connecter un appareil audio numérique (amplificateur numérique, platine DAT, enregistreur de minidisques, etc.).

Enlever le capuchon antipoussière ① de la prise CD DIGITAL OUT (OPTICAL). Ensuite, connecter la fiche d'un câble optique à cette prise.

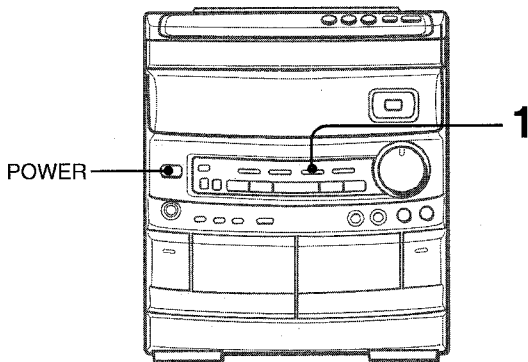
Quand la prise CD DIGITAL OUT (OPTICAL) n'est pas utilisée

Mettre en place le capuchon antipoussière fourni.

PRISE SUPER WOOFER

Connecter un caisson de graves alimenté optionnel muni d'un amplificateur intégré à cette prise.

ECOUTE DE SOURCES EXTERNES



Pour utiliser l'appareil connecté aux prises VIDEO/AUX, procéder de la manière suivante.

1 Appuyer sur la touche VIDEO/AUX.

VIDEO apparaît sur l'affichage.

2 Mettre l'appareil connecté en marche.

Pour changer le nom de source sur l'affichage

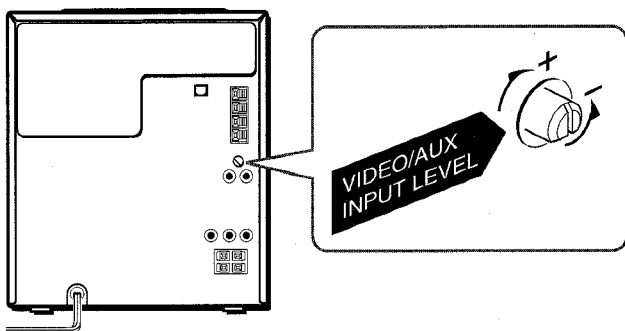
Quand on appuie sur la touche VIDEO/AUX, VIDEO est affiché initialement. On peut remplacer ce nom par AUX ou TV. L'appareil étant sous tension, appuyer sur la touche POWER tout en appuyant sur la touche VIDEO/AUX.

Répéter cette procédure pour sélectionner un des noms.

Pour régler le niveau sonore de la source externe

Si le niveau sonore de la source externe est beaucoup plus élevé ou beaucoup plus faible que celui des autres sources, le régler de la manière suivante.

- 1 Appuyer sur la touche VIDEO/AUX et mettre l'appareil en marche.
- 2 Tourner la commande VIDEO/AUX INPUT LEVEL, située sur le panneau arrière, jusqu'à ce que le niveau sonore soit le même que celui des autres sources.



SOINS ET ENTRETIEN

Un entretien et des soins réguliers de l'appareil et des disques et cassettes sont nécessaires pour assurer un fonctionnement optimal.

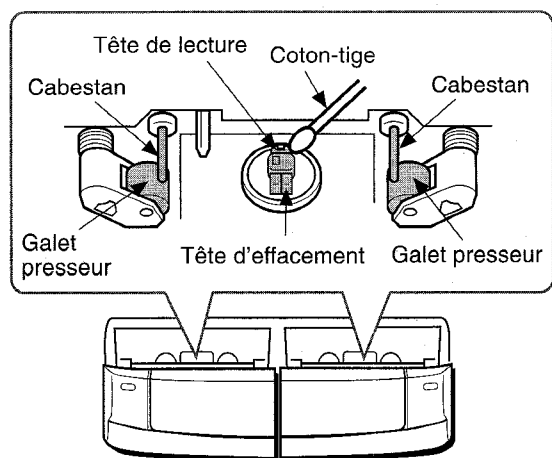
Nettoyage du coffret

Utiliser un chiffon doux légèrement imbibé d'une solution détergente douce. Afin de ne pas altérer le fini de l'appareil, ne pas utiliser de solvants forts, tels que de l'alcool, de la benzine ou du diluant.

Nettoyage des têtes et des chemins de bande

Toutes les dix heures d'utilisation, nettoyer les têtes et les chemins de bande avec une cassette de nettoyage ou un coton-tige imbibé d'un liquide de nettoyage ou d'alcool dénaturé. (Des kits de nettoyage sont disponibles dans le commerce.)

Lors du nettoyage avec un coton-tige, essuyer la tête d'enregistrement/de lecture, la tête d'effacement (platine 2 seulement), les cabestans et les galets presseurs.



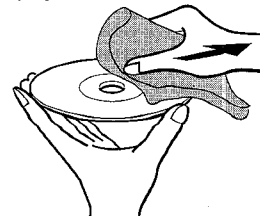
Après le nettoyage des têtes et des chemins de bande avec une cassette de nettoyage à liquide ou avec un coton-tige imbibé, attendre que les parties nettoyées soient complètement sèches avant de mettre des cassettes en place.

Pour démagnétiser les têtes

A la longue, les têtes peuvent devenir magnétisées. Ceci peut restreindre la plage de sortie des cassettes enregistrées et augmenter le bruit. A l'aide d'un dispositif de démagnétisation disponible dans le commerce, démagnétiser les têtes toutes les 20 à 30 heures d'utilisation.

Soin des disques

- Si un disque est sale, l'essuyer du centre vers l'extérieur avec un chiffon de nettoyage.



- Après la lecture d'un disque, le ranger dans son étui. Ne pas laisser le disque dans un endroit chaud ou humide.

Soin des cassettes

- Après l'utilisation, ranger les cassettes dans leurs boîtes.
- Ne pas laisser les cassettes près d'un aimant, d'un moteur électrique, d'un téléviseur ou de toute autre source de champ magnétique. Cela diminuerait la qualité sonore et provoquerait du souffle.
- Ne pas exposer les cassettes au soleil ni les laisser dans un véhicule garé au soleil.

SPECIFICATIONS

Appareil principal CX-NV8000

Partie tuner FM

Plage d'accord	87,5 MHz à 108 MHz
Sensibilité utile (IHF)	13,2 dBf
Bornes d'antenne	75 ohms (asymétrique)

Partie tuner AM

Plage d'accord	530 kHz à 1710 kHz (pas de 10 kHz) 531 kHz à 1602 kHz (pas de 9 kHz)
----------------	---

Sensibilité utile	350 μ V/m
Antenne	Antenne cadre

Partie amplificateur

Puissance de sortie	60 watts par canal, min., RMS sous 6 ohms, de 50 Hz à 20 kHz, avec pas plus de 1% de Distorsion Harmonique Totale
---------------------	---

Distorsion harmonique totale	0,1% (30 W, 1 kHz, 6 ohms, AUDIO DIN)
------------------------------	---------------------------------------

Entrées	VIDEO/AUX: 230 mV (réglable) MIC 1, MIC 2: 1,7 mV (10 k Ω)
---------	---

Sorties	SUPER WOOFER: 1,9 V SPEAKERS: accepte des enceintes de 6 ohms ou plus SURROUND SPEAKERS: accepte des enceintes de 16 ohms ou plus PHONES (prise stéréo): accepte un casque de 32 ohms ou plus
---------	--

Partie magnétocassette

Format de piste	4 pistes, 2 canaux stéréo
Réponse en fréquence	Bande CrO ₂ : 50 Hz – 16000 Hz Bande normale: 50 Hz – 15000 Hz

Rapport signal/bruit	60 dB (Réducteur de bruit Dolby B en service, bande CrO ₂ , niveau de crête)
----------------------	---

Système d'enregistrement	Polarisation CA
Têtes	1 tête de lecture (platine 1) 1 tête d'enregistrement/lecture/effacement (platine 2)

Partie lecteur de disques compacts

Laser	Laser à semi-conducteurs ($\lambda = 780$ nm)
Conversion N/A	1 bit, double
Rapport signal/bruit	83 dB (1 kHz, 0 dB)
Distorsion harmonique	0,05% (1 kHz, 0 dB)
Pleurage et scintillement	En deçà du seuil mesurable

ENCEINTES ACOUSTIQUES SX-ANV8000

Type de caisson	4 voies, bass-reflex avec haut-parleur surround (Type à blindage magnétique)
-----------------	--

Haut-parleurs	Haut-parleur de grave: cône 140 mm Haut-parleur pour fréquences moyennes: cône de 80 mm Haut-parleur d'aigu: cône 50 mm Super-tweeter: céramique 20 mm Haut-parleur surround: cône de 80 mm Haut-parleur avant: 6 ohms Haut-parleur surround: 16 ohms
---------------	---

Impédance

Niveau de pression acoustique de sortie

Impédance	87 dB/W/m
Dimensions (L x H x P)	235 x 310 x 270 mm
Poids	4,3 kg

Généralités


Alimentation électrique	Secteur 120 V, 60 Hz
Consommation électrique	135 W
Dimensions de l'appareil principal (L x H x P)	260 x 307 x 349 mm
Poids de l'appareil principal	7,8 kg

Les spécifications et l'aspect extérieur peuvent être modifiés sans préavis en vue d'amélioration du produit.

BBE SYSTEM

L'expression "BBE" et le symbole "BBE" sont des marques déposées de BBE Sound, Inc. Sous licence de BBE Sound, Inc.

REDUCTEUR DE BRUIT DOLBY

Réduction de bruit Dolby fabriquée sous licence de Dolby Laboratories Licensing Corporation. DOLBY et le symbole double-D  sont des marques de Dolby Laboratories Licensing Corporation.

AUTRES CONNEXIONS
GENERALITES

F

EN CAS DE PROBLEME

Si l'appareil ne fonctionne pas comme décrit dans ce mode d'emploi, contrôler le guide suivant.

GENERALITES

Il n'y a pas de son.

- Le cordon secteur est-il branché correctement?
- N'y a-t-il pas une mauvaise connexion? (→ page 3)
- Il y a peut-être un court-circuit dans les bornes d'enceinte.
→ Débrancher le cordon secteur puis corriger les connexions d'enceinte.
- Une touche de fonction incorrecte n'est-elle pas en service?

Le son ne sort que par une enceinte.

- L'autre enceinte n'est-elle pas déconnectée?

Le son sorti n'est pas stéréo.

- La fonction Karaoke n'est-elle pas en service? (→ page 17)

Un affichage ou un fonctionnement erroné se produit.

- Réinitialiser l'appareil comme indiqué ci-dessous.

PARTIE TUNER

Il y a des charges statiques constantes en forme d'onde.

- L'antenne est-elle raccordée correctement? (→ page 3)
- Le signal n'est-il pas faible?
→ Connecter une antenne extérieure.

La réception présente des parasites ou le son présente de la distorsion.

- Le système ne capte-t-il pas des bruits extérieurs ou des ondes réfléchies?
→ Changer l'orientation de l'antenne.
→ Eloigner l'appareil d'autres appareils électriques.

PARTIE MAGNETOCASSETTE

La bande ne défile pas.

- La platine 2 n'est-elle pas en mode pause? (→ page 11)

Le son est déséquilibré ou trop faible.

- La tête de lecture n'est-elle pas sale? (→ page 21)

L'enregistrement est impossible.

- Un ergot de sécurité de la cassette n'est-il pas absent? (→ page 12)
- La tête d'enregistrement n'est-elle pas sale? (→ page 21)

L'effacement est impossible.

- La tête d'effacement n'est-elle pas sale? (→ page 21)
- Une cassette au métal n'est-elle pas utilisée?

Il n'y a pas de sons aigus.

- Une cassette enregistrée sans réducteur de bruit Dolby n'est-elle pas lue avec le système réducteur de bruit Dolby en service? (→ page 11)
- La tête d'enregistrement/de lecture n'est-elle pas sale? (→ page 21)

PARTIE LECTEUR DE DISQUES COMPACTS

La lecture ne fonctionne pas.

- Le disque est-il correctement mis en place? (→ page 9)
- Le disque n'est-il pas sale? (→ page 21)
- N'y a-t-il pas de la condensation sur la lentille?
→ Attendre environ une heure puis essayer de nouveau.

Pour réinitialiser

Si une anomalie apparaît sur la fenêtre d'affichage ou dans le magnétocassette, réinitialiser l'appareil de la manière suivante.

- 1 Appuyer sur la touche POWER pour couper l'alimentation.
- 2 Appuyer sur la touche POWER tout en appuyant sur la touche ■ CLEAR pour remettre l'appareil sous tension. Toutes les données mémorisées après l'achat sont effacées.

Si à l'étape 1 l'alimentation ne peut pas être coupée du fait d'une anomalie, réinitialiser en débranchant le cordon secteur puis effectuer l'étape 2.

NOMENCLATURE

Pour les principales instructions concernant chaque partie de l'appareil principal ou de la télécommande, se reporter aux pages indiquées.

(Ordre alphabétique)

Parties	Pages
CD	9
CD EDIT/CHECK (EDIT/CHECK)	9, 15, 16
■ CLEAR	8, 9, 11
CLOCK	5
DEMO	5
DIGITAL ECHO	17
◀▶ DIRECTION/PRESET	8, 9, 11
DISC CHANGE	9
DISC DIRECT PLAY	9
DOLBY NR	12
◀◀, ▶▶ DOWN	7, 9, 11
EDIT/CHECK (CD EDIT/CHECK)	9, 15, 16
FRONT SURROUND	7
GEQ	6
KARAOKE (VOCAL FADER/MULTIPLEX)	17
KARAOKE ENTER	18
MIC 1, MIC 2	17
MIC MIXING	17
▲ OPEN/CLOSE	9
PHONES	6
POWER	5
PRGM	10
RANDOM	10
● (●/○) REC/REC MUTE	13
REPEAT/MONO TUNER	7, 10
REV MODE (DECK 2)	11
■ SET	8, 9
SLEEP	20
SYNC DUB NORM/HIGH	14
TAPE/DECK 1/2	11, 13
T-BASS	6
TIMER	19
TUNER/BAND	7
▶▶, ▶▶ UP	7, 9, 11
VIDEO/AUX	21
VOCAL FADER/MULTIPLEX (KARAOKE)	17
VOLUME	6
0-9, +10	10

Principe des enceintes acoustiques Aiwa à diffusion sonore frontale sur 180°

Les enceintes acoustiques Aiwa à diffusion sonore frontale sur 180° donnent un excellent équilibre sonore pour une vraie reproduction stéréo à partir de n'importe quel angle d'écoute.

Jusqu'à maintenant, dans les systèmes de reproduction sonore stéréo, la zone d'écoute où l'effet stéréo optimal est obtenu était extrêmement étroite. Ceci est dû aux raisons suivantes. Comme montré sur la figure 2, des enceintes stéréo classiques possèdent des haut-parleurs sur leurs façades, orientés vers l'avant. Ces enceintes sont conçues pour l'écoute à un endroit situé directement en face d'elles.

Dans ce cas, comme montré sur la figure 2, un auditeur se trouvant au point (a), situé sur l'axe entre les enceintes acoustiques droite et gauche, entend la partie vocale venant par le centre. Les sons de la partie instrumentale sont répartis uniformément entre les deux enceintes pour donner un effet stéréo optimal. Toutefois, au point (b), décentré par rapport à l'axe entre les enceintes, la distance de l'enceinte gauche à l'auditeur est supérieure à celle de l'enceinte droite. Le son venant de l'enceinte gauche semble être faible, et celui venant de l'enceinte droite semble être fort. Le son est perçu comme venant de l'enceinte avec le plus fort volume, si bien que la partie vocale semble être décalée vers l'enceinte droite. Les sons de la partie instrumentale normalement équilibrés semblent également venir principalement de l'enceinte droite.

Qui plus est, étant donné que la directivité des enceintes augmente avec les fréquences supérieures, les sons de haute fréquence venant de l'enceinte gauche deviennent encore plus difficiles à entendre; l'impression de déséquilibre augmente. Pour ces raisons, la zone d'écoute qui donne un équilibre sonore normal et l'effet stéréo optimal est limitée à la partie étroite montrée sur la figure 2-(a).

Pour résoudre ce problème, Aiwa a créé des haut-parleurs unidirectionnels pour ces nouvelles enceintes acoustiques qui possèdent une directivité cardioïde pour les fréquences de 1 kHz ou moins. Ces haut-parleurs sont orientés à 45° vers l'intérieur (voir figure 1). Attaqués par les signaux sonores stéréo gauche et droit, ils servent à augmenter la largeur de la zone d'écoute optimale. Du fait de leur directivité cardioïde et de leur orientation à 45° par rapport à l'axe du haut-parleur principal, ils donnent une meilleure reproduction sonore au point (b) de la figure 3. Le haut-parleur gauche est orienté vers l'auditeur, et le haut-parleur droit est écarté de ce dernier; si bien que la directivité de ces haut-parleurs compense les différences de volume perçu causées par les différences de distance jusqu'à l'auditeur. Par conséquent, le son de la partie vocale est perçu comme venant d'un point situé à mi-distance entre les enceintes, et les sons de la partie instrumentale sont répartis uniformément.

Figure 1 Enceinte acoustique à diffusion frontale sur 180°

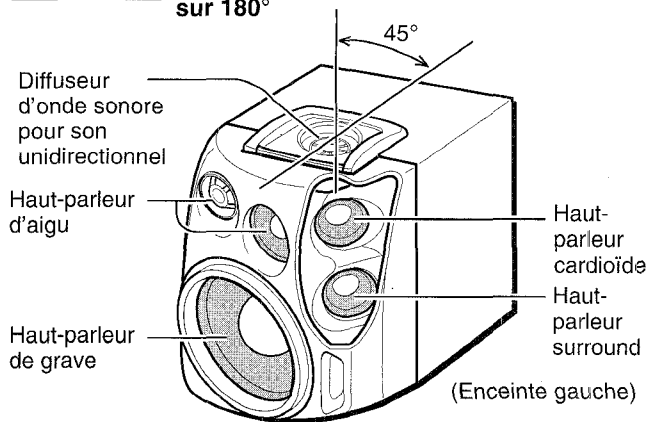
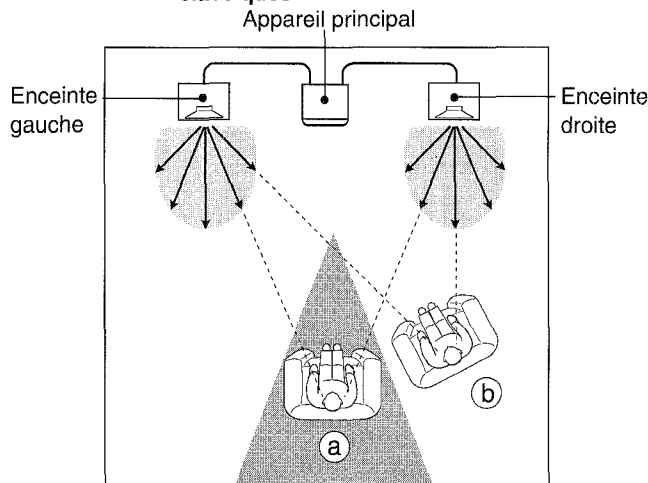


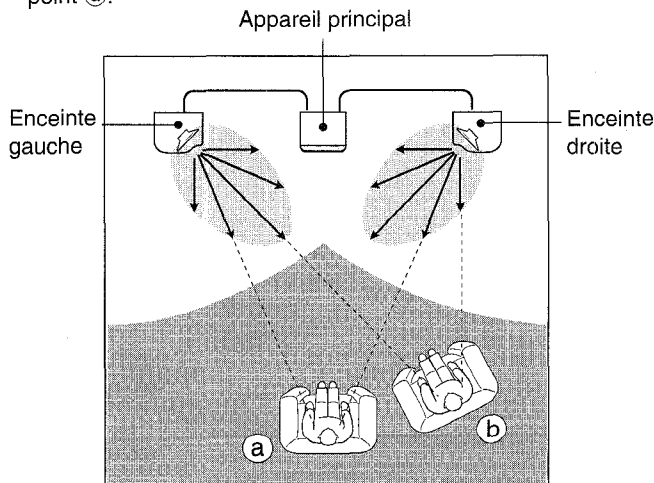
Figure 2 Effet stéréo avec des enceintes acoustiques classiques



- (a) Point d'écoute central:
Son équilibré audible par les enceintes gauche et droite
 - (b) Point d'écoute décentré:
Le son venant de l'enceinte droite semble plus fort que celui venant de l'enceinte gauche
- : Niveau de pression acoustique
: Zone d'écoute stéréo

Figure 3 Effet stéréo avec des enceintes acoustiques Aiwa à diffusion sonore frontale sur 180°

Un vrai son stéréo est audible au point (b) aussi bien qu'au point (a).



- : Niveau de pression acoustique
: Zone d'écoute stéréo des nouvelles enceintes acoustiques

GENERALITES

F

NOTE

This equipment has been tested and found to comply with the limits for a Class B digital device, pursuant to Part 15 of the FCC Rules. These limits are designed to provide reasonable protection against harmful interference in a residential installation.

This equipment generates, uses, and can radiate radio frequency energy and, if not installed and used in accordance with the instructions, may cause harmful interference to radio communications. However, there is no guarantee that interference will not occur in a particular installation. If this equipment does cause harmful interference to radio or television reception, which can be determined by turning the equipment off and on, the user is encouraged to try to correct the interference by one or more of the following measures:

- Reorient or relocate the receiving antenna.
- Increase the separation between the equipment and receiver.
- Connect the equipment into an outlet on circuit different from that to which the receiver is connected.
- Consult the dealer or an experienced radio/TV technician for help.

CAUTION

Modifications or adjustments to this product, which are not expressly approved by the manufacturer, may void the user's right or authority to operate this product.

COPYRIGHT

Please check the laws on copyright relating to recordings from discs, radio or external tape for the country in which the machine is being used.

DERECHOS DE AUTOR

Sírvase comprobar las leyes de derechos de autor relacionadas con la grabación de discos, de la radio o de cintas del país en el que se utilice el aparato.

DROITS D'AUTEUR

Prière de vérifier les lois sur la propriété artistique relatives à l'enregistrement de disques, de la radio ou de cassettes dans le pays d'utilisation de l'appareil.

For Assistance And Information

Call Toll Free 1-800-BUY-AIWA (United States and Puerto Rico)
